

SPECTRUM

SPORTS INTL

AUTO-BELAY, AUTO-RETRACT, & ZIG-ZAG ZIP (AUTO-ZIP) OWNER/OPERATOR'S MANUAL



Attention!

IMPORTANT SAFETY INFORMATION INSIDE. READ THIS MANUAL BEFORE SETTING UP AND OPERATING THE PRODUCT(S).

TABLE OF CONTENTS

Auto-Belay, Auto-Retract, & Zig-Zag Zip (Auto-zip).....	i
Owner/Operator’s Manual	i
Table of Contents	ii-iii
List of Tables	iv
List of Figures.....	iv
1. Introduction	1
1.1 Receipt & Acknowledgment.....	2
1.2 Manual Overview	3
1.2.1 Revisions	3
1.2.2 Warning Signs	4
1.3 Accident Reporting	5
1.4 Engineering Approval	5
2. The Safety Systems	6
2.1 Certifications / Standards	6
2.1.1 ASTM Requirements for Owner/Operator Responsibilities.....	6
2.2 Product Specs.....	7
2.2.1 Maximum Payout Levels.....	7
2.2.2 AB32 Specs (Generation 4).....	7
2.2.3 AB40 Specs (Generation 4).....	8
2.2.4 AB75 Specs (Generation 4).....	8
2.2.5 Auto-Retract Specs (Generation 2).....	9
2.2.6 Zig-Zag Zip “Auto-Zip” Specs (Generation 2).....	10
2.3 Auto-Belay Sticker Package.....	11
3. Inspections	12
3.1 Priming the Auto-Belay Devices	12
3.2 Inspecting Wear Items	13
3.3 Checking Air Pressure	14
3.4 Inspecting the Hydraulic Fluids	14
3.5 Cable Inspections.....	15
3.5.1 Replacing the Cable	15
3.5.2 Cable Replacement Options	16
3.5.3 Wire Rope Inspection Comparison.....	17
3.6 Daily Inspections	19
3.7 Weekly Inspections.....	19
3.8 3 Month Inspections	19
3.9 12 Month Inspections	19
3.10 Inspection Checklists	20
3.10.1 Quick Reference Checklist	20
3.10.2 Daily Inspection Checklist	21

3.10.3 Weekly Inspection Checklist	22
3.10.4 3 Month Inspection Checklist	23
3.10.5 12 Month Inspection Checklist	24
3.11 Non-Destructive Examination (NDE) Inspection Policy.....	25
4. Installation	26
4.1 Auto-Belay Mounts.....	28
4.2 Davit Installation	29
4.3 Structural Approval	29
5. Operating the Auto-Belay	30
6. Warranty	31
6.1 Warranties and Liabilities	31
6.2 Conclusion.....	37
7. Troubleshooting	38
Appendices	40
Appendix A. Forms	41
Appendix B. Changing an Auto-Belay Cylinder.....	42
Appendix C. Oil Collection Kit Installation	44
Appendix D. Seal Kit Replacement	45
Appendix E. Cable Replacement (Both Ends Terminated)	47
Appendix F. ASTM F 1305	51

LIST OF TABLES

Table 1. Warning Signs.....	4
Table 2. Maximum Payout Levels	7
Table 3. Recommended Air Pressures	14
Table 4. Approved ISO 32 Hydraulic Fluids.....	14
Table 5. Wire Rope Inspection Comparison.....	17
Table 6. Allowable broken strands by ASME Code.....	18
Table 7. Quick Reference Inspection Checklist.....	20
Table 8. Daily Inspection Checklist	21
Table 9. Weekly Inspection Checklist.....	22
Table 10. 3 Month Inspection Checklist.....	23
Table 11. 12 Month Inspection Checklist	24
Table 12. Auto-Belay Design Load.....	27

LIST OF FIGURES

Figure 1. Auto-Belay Sticker Package.....	11
Figure 2. Single Wire Inspection Criteria for the Auto-Belay Wire Ropes.....	15
Figure 3. Auto-Belay Mounting Examples	28
Figure 4. Davit Installation	29
Figure 5. Auto-Belay/Zip Accessories & Parts Order Form	41
Figure 6. Oil Collection Kit Installation.....	44
Figure 7. Seal Kit Replacement Images.....	45
Figure 8. Cable Threading Diagram	49
Figure 9. Cable Diagram (2)	50

1. INTRODUCTION

Thank you for purchasing a quality-built climbing product from Spectrum Sports Intl. We take pride in our products and believe that we build the best products in our industry. Our philosophy is centered on a commitment of excellence in meeting the needs of our customers and providing quality products that are safe, exciting, and profitable. We encourage you to likewise develop a standard of quality and service.

What makes our team successful is:

- ✓ Commitment to a proper, effective, and profitable design.
- ✓ Third-Party Engineering on all our products.
- ✓ Manufacturing our products according to the “ASTM F-24” amusement industry safety standards.
- ✓ Testing designs before they are put into use and sold.
- ✓ Maximum customer through-put, generating high profits.
- ✓ Building quality products, which means the ownership costs are lower.
- ✓ Experience and leadership in the industry.
- ✓ In-house assembly on all of our products (this provides for exceptional Quality Control).

Your part in building a successful business using Spectrum Sports Intl products is to:

- Have a commitment to safe operation.
- Have consistent inspections for needed maintenance.
- Effectively and actively market and promote the product.
- Use Spectrum Sports Intl certified replacement parts.



Attention!

Always remember to follow all safety guidelines and use caution while operating your product.

Spectrum Sports Intl is a company that has designed the following products: Climb-N-Dangle®, Drop-A-Rock®, Grip-A-Rock®, RidgeLine®, Climb-N-Challenge®, Klime Wallz®, and Coconut Tree Climb®. This manual will be used to document the operating procedures and safety warnings associated with the Auto-Belay, Auto-Retract, and Zig-Zag Zip (Auto-Zip) Safety Systems.



Attention!

The guidelines in this manual must be read and understood by all people operating the Auto-Belay, Auto-Retract, and Zig-Zag Zip (Auto-Zip) Safety Systems.

Copyright© Spectrum Sports Intl

Reproduction or translation of any part of this work beyond that permitted by Section 107 or 108 of the 1976 United States Copyright Act without permission of the copyright owner is unlawful. Requests for permission or further information should be addressed to Spectrum Sports Intl.

1.1 Receipt & Acknowledgment

This owner/operator's manual is an important document intended to help you become acquainted with the Auto-Belay, Auto-Retract, and Zig-Zag Zip (Auto-Zip) Safety Systems.



Attention!

Please read the following statement and contact Spectrum Sports Intl, in writing, if the intent of this document is unclear or questions arise. YOU SHOULD NOT OPERATE THE PRODUCTS MENTIONED IN THIS MANUAL IF YOU DO NOT FULLY UNDERSTAND HOW TO OPERATE THEM SAFELY!

“As owner/operator, I have received and read my copy of the Spectrum Sports Intl Auto-Belay, Auto-Retract, and Zig-Zag Zip (Auto-Zip) Operations Manual. I understand that the information outlined in this manual is subject to change at the sole discretion of Spectrum Sports Intl at any time. It is further understood that as an owner/operator of an Auto-Belay, Auto-Retract, or Zig-Zag Zip (Auto-Zip) Safety System I have the responsibility to ensure that the correct and latest version of the manual is being used.

As an owner of an Auto-Belay, Auto-Retract, or Zig-Zag Zip (Auto-Zip) Safety System or authorized representative, it is my responsibility to keep this manual current with any changes that are made by Spectrum Sports Intl. In addition, if there is anything about the product and/or this manual that is unclear or not understood, it is my responsibility to seek clarification and not use the product until the issue is understood.”

Unless informed in writing, Spectrum Sports Intl assumes that the customer understands the Auto-Belay, Auto-Retract, and Zig-Zag Zip (Auto-Zip) Safety Systems and that there are no questions regarding the product, the contents of this document, and/or use of the product or how to operate this product.



Attention!

It is the sole responsibility of the customer to clarify any question or concern with Spectrum Sports Intl before use and/or operation.

1.2 Manual Overview

This manual is an introduction to the Auto-Belay, Auto-Retract, and Zig-Zag Zip (Auto-Zip) Safety Systems and their operation. The purpose of this manual is to provide a compilation of information that will assist you in proper and safe operation. This manual is designed to aid in educating you and your associates.

This manual is designed to provide the product owner with the information, tips, and techniques that will help the owner and employees operate the Auto-Belay, Auto-Retract, and Zig-Zag Zip (Auto-Zip) Safety Systems as effectively and safely as possible. This manual is in no way a total representation of all facts related to the product or equipment. Safe operation of this product is the sole responsibility of the owner/operator. Good and reasonable judgment must be used when operating the product.

1.2.1 Revisions

Spectrum Sports Intl may make periodic additions, deletions, and modifications to this manual. These updates will, in the judgment of Spectrum Sports Intl, add to the quality of services offered. This manual must be kept up to date and should reflect all updates currently in use.





Attention!

Please check the following websites for updates and/or safety issues regarding your Auto-Belay, Auto-Retract, and Zig-Zag Zip (Auto-Zip) Safety Systems: www.spectrumsports.com or www.auto-belay.com.

1.2.2 Warning Signs

The following warning signs will appear throughout this manual:

Table 1. Warning Signs

SYMBOL	WARNING NAME	DESCRIPTION
	Attention	This icon and font will be used to draw attention to important tips or setup procedures.
	Warning	This icon, and font, will be used to draw attention to important safety warnings.



Attention!

Spectrum Sports Intl will not warranty or stand behind any Auto-Belay, Auto-Retract, or Zig-Zag Zip (Auto-Zip) Safety System that we have manufactured that does not use genuine and/or authorized replacement parts and/or cables. Any work and/or services that are performed on any Spectrum Sports Intl Auto-Belay, Auto-Retract, or Zig-Zag Zip (Auto-Zip) Safety System that are not performed by an authorized Spectrum Sports Intl employee, voids any and all claims to any manufacturer's liability.

Read and understand this manual before installing and/or operating the product.



Warning!

Failing to comply with the information in this manual may result in serious injury or death.

1.3 Accident Reporting

Spectrum Sports Intl requires that any and all accidents are reported within 48hrs from the time of the accident.

We need the following information:

- Name of the injured.
- Place of the accident.
- An incident report.
- The route the accident occurred on.
- A description of the accident.
- A description of the proposed product failure.
- The employee's name.
- Daily inspection report/checklist.
- Date the employee was trained on the use of the product.

More info may be required at a later time. email a report to sales@spectrumsports.com or fax a report to 435-792-3884.

1.4 Engineering Approval

Our products have been designed and reviewed by third-party engineers that stand behind the product design. If it is necessary that you receive a copy of the engineering analysis, Spectrum Sports Intl will provide a copy contingent upon the signing of a “non-disclosure/non-compete agreement” and a small fee.

Please call Spectrum Sports Intl for details.



Attention!

The customer is responsible for finding what current codes are required to operate each Spectrum Sports Intl product within their state.

2. THE SAFETY SYSTEMS

This manual is an introduction to the Auto-Belay, Auto-Retract, and Zig-Zag Zip (Auto-Zip) Safety Systems and their operation. The purpose of this manual is to provide a compilation of information that will assist you in proper and safe operation. This manual is designed to aid in educating you and your associates.

“Belaying” is a climbing term that describes the process of taking up slack in a climber’s safety line as they ascend, and then safely lowering the climber when they either fall or wish to descend. This process is managed by a “Belay Partner” in traditional rock climbing. The term “Auto-Belay” is used to describe a device that replaces the “Belay Partner” with a mechanical apparatus.

The Spectrum Sports Intl Auto-Belay Safety System is an air/oil hydraulic apparatus. As a climber ascends, air pressure works upon the device in a manner that collects any slack in the climber’s safety line. When the climber descends, oil flow through the device is restricted in a manner that safely slows the rate of descent. Four generations of design evolution, third-party engineering, and millions of safe cycles worldwide have proven that the Spectrum Sport Intl Auto-Belay is the safest and most reliable on the market.



Attention!

All Spectrum Sports Intl Climbing Tower products will come with the Auto-Belay Safety Systems. Be sure that you are completely familiar with the safety and operation guidelines before you use the Auto-Belay Safety System.

2.1 Certifications / Standards

Spectrum Sports Intl has the following certifications and meets/exceeds the following industry standards:



2.1.1 ASTM Requirements for Owner/Operator Responsibilities

“Owner/operators of amusement rides or devices shall have an inspection program consistent with the inspections outlined in Practice F 853 & Practice F 770. Inspection documents deemed appropriate by the owner/operator to be maintained in the ride file shall be filed in accordance with the procedures outlined in Practice F 770 and Practice F 853. The owner/operator of an amusement ride or device shall promptly notify the manufacturer of an incident, failure, or malfunction which, in his judgment,

seriously affects the continued proper operation of the ride or device and is information of which the manufacturer should be aware."

(Ref: ASTM International Standards on Amusement Rides and Devices: 7th Edition, Sections: 5.2.1-5.2.3)

2.2 Product Specs

2.2.1 Maximum Payout Levels

The maximum payout levels for each Safety System product are listed in the table below.

Table 2. Maximum Payout Levels

PRODUCT	32'	40'	75'	95'	100'
AB32					
AB40					
AB75					
Auto-Retract	This includes 10' of breaking zone				
Zig-Zag Zip	(Maximum Distance between poles)				

2.2.2 AB32 Specs (Generation 4)

The following specifications are associated with a 4th generation AB32:

- **Size:** 9'3" (2.81M) long, 12" (304.8mm) wide, and 17" (431.8mm) deep
- **Weight:** 180 lbs. (81.64 kg)
- **Mounting Height:** Typically ground level, remote location okay
- **Climbing Range:** 0'-32' (9.75M)
- **Maximum Climbers Weight:** 250 lbs. (113.39 bar)
- **Color:** Black powder coated finish
- **Design:** Dual cylinder-open design
- **Body Material:** Steel
- **Cylinders:** 39" X 1 ½" 2500 PSI (Qty. 2)
- Weather proof hydraulic breather caps (Qty. 2)
- **Pulleys:** 6" sealed bearing, nylon (Qty. 9) for ¼" cable
- **Oil:** ISO 32
- **Upper Pulley Cart:** 8 sealed bearing
- **Air Pressure:** 85 – 95 PSI (5.8-6.5 bar) operations pressure
- **Hoses:** 2000 PSI (137.89 bar)
- **Fittings:** #10, O-ring with face seals
- **Hardware:** Grade 8 on pulleys, grade 5 on assemblies

- **Oil Filtration System:** Yes, inline screen
- **Oil Containment System:** Available at an additional cost
- **Oil Site Glass:** Mounted for clear inspections
- **Pressure Gauge:** 0- 150 PSI (10.34 bar)
- **Breather Cap:** Low profile
- **1" quick connections pins:** On both Auto-Belay cylinders
- Easy 4 bolt mounting system (2 brackets @ 8' separated)

2.2.3 AB40 Specs (Generation 4)

The following specifications are associated with a 4th generation AB40:

- **Size:** 9'3" long, 14" wide, and 17" deep
- **Weight:** 180 lbs.
- **Mounting Height:** Typically ground level, remote location okay
- **Climbing Range:** 10'-40'
- **Maximum Climbers Weight:** 250 lbs.
- **Color:** Black powder coated finish
- **Design:** Dual cylinder-open design
- **Body Material:** Steel
- **Cylinders:** 39" X 1 ½" 2500 PSI (Qty. 2)
- Weather proof hydraulic breather caps (Qty. 2)
- **Pulleys:** 6" sealed bearing, nylon (Qty. 9) for a ¼" cable
- **Oil:** ISO 32
- **Upper Pulley Cart:** 8 sealed bearing
- **Air Pressure:** 95 – 105 PSI operations pressure
- **Hoses:** 2000 PSI
- **Fittings:** #10, O-ring with face seals
- **Hardware:** Grade 8 on pulleys, grade 5 on assemblies
- **Oil Filtration System:** Yes, inline screen
- **Oil Containment System:** Available at an additional cost
- **Oil Site Glass:** Mounted for clear inspections
- **Pressure Gauge:** 0- 150 PSI
- **Breather Cap:** Low profile
- **1" quick connections pins:** On both Auto-Belay cylinders
- Easy 4 bolt mounting system (2 brackets @ 8' separated)

2.2.4 AB75 Specs (Generation 4)

The following specifications are associated with a 4th generation AB75:

- **Size:** 9'3" long, 24" wide, and 17" deep
- **Weight:** 370 lbs.
- **Mounting Height:** ground level, remote location okay
- **Climbing Range:** 10'- 75'
- **Maximum Climbers Weight:** 250 lbs.
- **Color:** Black powder coated finish
- **Design:** Dual cylinder-open design

- **Body Material:** Steel
- **Cylinders:** 39" X 1 ½" 2500 PSI (Qty. 2)
- **Pulleys:** 6" sealed bearing, nylon, fits 10.5 mm rope (Qty. 9)
- **Oil:** ISO 32 w/blue dye
- **Upper Pulley Cart:** 8 sealed bearing
- **Air Pressure:** 105 – 110 PSI operations pressure (depends on routing)
- **Hoses:** 2000 PSI
- **Fittings:** #10, O-ring with face seals
- **Hardware:** Grade 8 on pulleys, grade 5 on assemblies
- **Oil Filtration System:** Yes, inline screen
- **Oil Containment System:** Available at an additional cost
- **Oil Site Glass:** mounted for clear inspections
- **Pressure Gauge:** 0- 160 PSI
- **Breather Cap:** Low profile
- **1" quick connections pins:** On both Auto-Belay cylinders
- Easy 4 bolt mounting system (2 brackets @ 8' separated)

2.2.5 Auto-Retract Specs (Generation 2)

The following specifications are associated with the 2nd generation Auto-Retract:

- **Size:** 9'5" Long, 14" wide, and 12" deep
- **Weight:** 180-200 lbs.
- **Mounting Height:** Typically ground level, remote location okay
- **Ride length:** up to 95' (85' plus 10' breaking zone)
- **Maximum Rider Weight:** 250 lbs.
- **Color:** Black powder coated finish
- **Design:** Dual cylinder-open design with spring dampeners
- **Body Material:** Steel
- **Cylinders:** 12" X 2" 2500 PSI (Qty. 2)
- Weather proof hydraulic breather caps (Qty. 2)
- **Pulleys:** 6" sealed bearing, nylon (Qty. 10) for ¼" cable or 5mm-10mm nylon rope
- **Oil:** ISO 32
- **Upper Pulley Cart:** 10 sealed bearing
- **Air Pressure:** 55-65 PSI operations pressure
- **Hoses:** 2000 PSI
- **Fittings:** #10, O-ring with face seals
- **Hardware:** Grade 8 on pulleys, grade 5 on assemblies
- **Oil Filtration System:** Yes, inline screen
- **Oil Site Glass:** Mounted for clear inspections
- **Pressure Gauge:** 0- 160 PSI
- 1" quick connections pins: on both Auto-Belay cylinders
- Easy 4 bolt mounting system (2 brackets @ 9' separated).

2.2.6 Zig-Zag Zip “Auto-Zip” Specs (Generation 2)

The following specifications are associated with the 2nd generation Auto-Zip:

- **Size:** 9’3” Long, 16” wide and 17” deep
- **Weight:** 375 lbs.
- **Mounting Height:** Typically ground level but above head height, remote locations okay
- **Payout Range (Ride Length):** Max 100’ long
- **Maximum Rider Weight:** 250 lbs.
- **Color:** Black powder coated finish
- **Design:** Dual cylinder-open design
- **Body Material:** Steel
- **Cylinders:** 39” X 2” 1,500 PSI (Qty. 2)
- Weather proof hydraulic breather caps (Qty. 2)
- **Pulleys:** 8” sealed bearing, nylon (Qty. 9) for 5/16” cable
- **Oil:** ISO 32
- **Upper Pulley Cart:** 8 sealed bearing
- **Air Pressure:** 95 – 120 PSI operations pressure
- **Hoses:** 2000 PSI
- **Fittings:** #10, O-ring with face seals
- **Hardware:** grade 8 on pulleys, grade 5 on assemblies
- **Oil Filtration System:** Yes, inline screen
- **Oil Containment System:** Available at additional cost
- **Oil Site Glass:** Mounted for clear inspections
- **Pressure Gauge:** 0- 150 PSI
- **Breather Cap:** Low profile
- 1” quick connections pins: on both Auto-Belay cylinders
- Easy 4 bolt mounting system (2 brackets @ 8’ separated)

2.3 Auto-Belay Sticker Package



Figure 1. Auto-Belay Sticker Package

3. INSPECTIONS

This section of the manual will provide you with guidelines and checklists for daily, weekly, quarterly, and yearly inspections. This section will also provide you with guidelines for other product-related inspections.



Warning!

Inspections of the Safety Systems must occur on a daily, weekly, quarterly, or yearly basis to ensure continued, safe operation.



Attention!

All the information in this chapter of the manual must be understood and implemented. All the inspections listed in this section must be performed within the time frames specified by this manual.

3.1 Priming the Auto-Belay Devices

Before each use of the Auto-Belay you must do the following:

With one operator on the front of the wall using a rope, manually extend the cable to the top of the wall while a second person inspects the retraction of the cable to ensure that there is **NO SLACK** behind the wall.

Ensure that all pulleys turn when the cable is in motion and that the cable drag is minimal.

The following steps need to be completed before the Auto-Belay Safety System is used (each time the product is used).

- Check the air pressure to confirm that it is within the safe operating range (consult the sticker on the side of your Auto-Belay Safety System).
- Check the cable to ensure that it can travel through the pulleys without restriction.
- Check the oil-site for fluid.
- Pull on the cable (front side of the wall) and make sure that the cable retracts itself. Do this several times, while making sure that the cable has an elastic feel.
- While standing on the front side of the wall (the side that is for climbing), hold on to the cable, raise it above your head, then pull it to the ground (priming the Auto-Belay Safety System). Do this multiple times.

- Once you have primed the system, hook onto the Auto-Belay Safety System (wearing a climbing harness) and climb up 5' (1.5M), then let go, and allow the Auto-Belay Safety System to lower you to the ground.
- Continue to climb up the wall 5' (1.5M) at a time, and allow the system to lower you down. Repeat this step until you have reached the top of the wall.
- Once you have ensured that the Auto-Belay Safety System is operating properly you may now allow clients to climb.



Attention!

Remember, fluid levels should be checked when all Auto-Belay routes are anchored to the bottom of the wall (meaning that the carabiner-end of the cable must be in the “start climbing” position). If you have any questions, please contact Spectrum Sports Intl.

For proper and safe Auto-Belay function, it is important that the Auto-Belay is properly pressurized.

3.2 Inspecting Wear Items

The following items are wear items. Along with suggested guidelines for replacement, it is up to you, the operator, to monitor and determine how much use and wear they receive. **When in doubt, replace it! Safety first!**

- **Carabiners:** It is well known that equipment deteriorates progressively with use. It is difficult to give a precise lifetime on some items because it depends on the environment in which they are used. However, surface damage, corrosive wear, mechanical wear, or impairment of the mechanical function of the product can be easily observed.
- **Swivels:** Again, the same warning for the Carabiners applies to the swivels.
- **Pulleys:** Replace when worn.
- **Quick Link:** Replace annually at a minimum or when other inspection techniques require changes.
- **Cables:** Replace annually at a minimum or when other inspection techniques require changes.
- **Auto-Belay Cylinder Seals:** Replace when you start to see excessive oil leakage.
- **Hardware (Pulley Hardware):** Bolts and nylock nuts must be replaced every 12 months.

3.3 Checking Air Pressure

The current Auto-Belay Safety System (Generation 4+) requires air in the tank to operate properly. Confirm that your Safety System has the correct amount of air pressure (see the table below for details).

The standard air pressures can be seen in the table below. Depending on the installation and the cable route; more air pressure may be required.

Table 3. Recommended Air Pressures

PRODUCT	55-65 PSI	85 PSI	95 PSI	105 PSI	110 PSI	120 PSI
AB32						
AB40						
AB75						
Auto-Retract						
Zig-Zag Zip (Auto-Zip)						

3.4 Inspecting the Hydraulic Fluids

The oil lens should have a blue tinted fluid visible. The maximum fluid amount allowed in the Auto-Belay Safety System is 9 quarts. The maximum fluid amount allowed in the Zig-Zag Zip (Auto-Zip) is 11 quarts.

If no fluid is visible, add the following brand name fluids (**ISO 32 fluid is required**):

Table 4. Approved ISO 32 Hydraulic Fluids

BRAND	ISO 32 FLUID NAME
Mobil	DTE-24
Texaco	RANDO-32
Chevron	AW-32

3.5 Cable Inspections

A rigorous inspection routine is not only recommended, but required. Proper inspection will eliminate the chance of using a wire rope beyond its useful life. The inspection routine listed is the procedure that should be followed rigorously. This inspection method is visual and adheres to the applicable standards published in the United States.

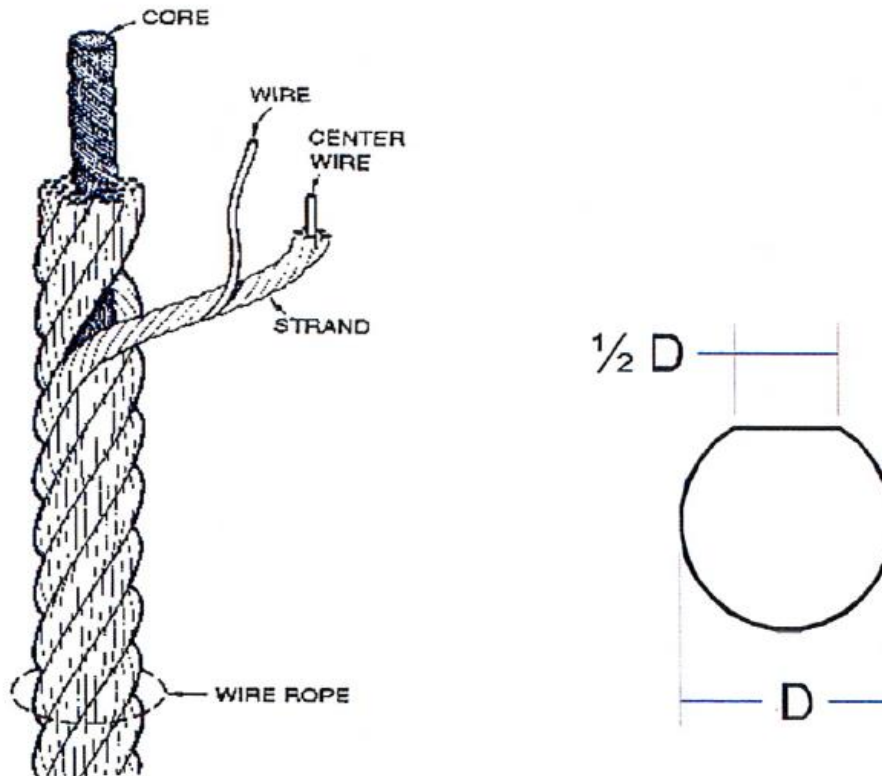


Figure 2. Single Wire Inspection Criteria for the Auto-Belay Wire Ropes.

3.5.1 Replacing the Cable

Replace the cable if any of the following conditions are true (refer to the previous figure):

1. If any of the individual wires in a strand have a flat spot of more than $\frac{1}{2}$ the diameter of the smallest wire as shown in the figure above.
2. If there is a single broken wire in any strand.
3. If there are 50,000 or more cycles on the route.
4. If the cables have been on a climbing tower for 1 year (12 months).
5. If there are any twists, kinks, flat spots, or bird-caging.

The wire rope inspection criteria recommended by various agencies, manufacturers, and governing agencies in the United States have published guidelines pertaining to wire rope use, maintenance, inspection, and general specifications. Most wire rope manufacturers have additional guidelines for the use, maintenance, and inspection of their cables. These guidelines and codes set precedence for the industry standard methods of wire rope use, maintenance, and inspection. Deviation from these

recommendations would be viewed as questionable by the most experienced engineers in the industry.

To justify the inspection method recommended by Spectrum Sports Intl, the most noted codes and guidelines have been obtained and read by SAE Inc. engineers. The codes obtained by SAE Inc. engineers include:

- **ASME (American Society of Mechanical Engineers) International Publication.**
ASME/B30.5c – Mobile and Locomotive Cranes, 1998, ISBN#: 0791822753
This code is a revision of the ASME/ANSI B30.5-1989. It applies specifically to applications similar to the Space Shot™ ride.
- **Wire Rope Technical Board**
Wire Rope User's Manual, Third Edition, 1993
This test gives a summary compilation of the recommended practices for wire rope use in general applications.
- **OSHA Wire Rope Excerpts** – General Standards, Vol. 37, Number 202, Oct. 1972.
This general standard is a compilation of the ASME/ANSI standards that exist now as the SME/B30.XX series. These are the forerunner to current standards.
- **Leeschen Wire Rope Company**
“Wire rope Inspection”, Report #107. This report gives guidelines to the inspection methods appropriate to identify wire rope damage.

Each of these codes specifies, in general, the same criteria for the inspection of wire ropes. Additional ASME codes specify inspection criteria for additional applications including, but not limited to, personnel hoists (elevators), overhead cranes, material hoists, etc. The ASME code governing *Mobile and Locomotive Cranes* is very stringent. It is the most stringent code that has any applicability to the Auto-Belay. The highlights of the inspection guidelines/codes listed above are included in the next table of this document to set a comparison reference for Spectrum Sports Intl guidelines.

Note: The inspection procedures outlined in the referenced codes are all *visual inspections*.

3.5.2 Cable Replacement Options

The following cable replacement options are available:

- **On-Site Service:** Spectrum Sports Intl has offered the option of On-Site Service for over a decade. Our service truck is fully equipped and circles the entire country twice each year. The On-Site Service option may include cable replacement, parts replacement, inspections, and any other maintenance needs pertaining to the customer's request.
To be put on the On-Site Service schedule, visit our website at www.spectrumsports.com, then fill out and submit the request form or call (888) 563-0163.
- **Self-Installation:** Customers who wish to install cables on their own product have the option of ordering certified cable, with both ends crimped, straight from our facility.
Specific instructions for properly installing the cable on a Spectrum Sports Intl Auto-Belay Safety System can be found in Appendix E of this manual.

3.5.3 Wire Rope Inspection Comparison

A wire rope inspection criteria comparison can be seen in the table below:

Table 5. Wire Rope Inspection Comparison

INSPECTION CRITERIA REQUIRING ROPE REPLACEMENT	ASME/B30.5C CRANES	WIRE ROPE USERS GUIDE, 3 RD EDITION
Length of Wire Rope Service	No specifications given.	No specifications given.
Abrasion	1/3 diameter worn on any wire (see below).	1/3 diameter worn on any wire, see specific governing code.
Rope Stretch	No specifications given.	When the rate of stretch increases after initial break-in period.
Reduction in Rope Diameter	1/48" on cables 1/4" diameter.	When accompanied with significant rope stretch; otherwise not specific.
Corrosion	Not specified.	If accompanied by metal pitting; if rust exists.
Kinks, Twists, Crushing	Any – replace wire rope.	Any – replace unless cable is repairable.
“Bird Caging”	Any defect – replace unless defect can be removed.	Any defect – replace unless defect can be removed.
Heat/Electrical	Any – replace wire rope.	If wires are fused or discolored.
Broken Strands	Rotation resistant ropes: 2 wires in 6 rope diameters – and 4 wires in 30 rope diameters. New criteria: 4 broken wires in one lay-length and 2 broken wires within 1 strand within 1 lay-length.	See specific code.
Damaged End Attachments	If non-repairable, replace wire rope.	See specific code.
Non-destructive	Not specified	Not specified.

The ASME/B30.5 inspection criterion is very specific on the visual inspections required. The code is specifically designed to allow an inspector to accurately infer the status of the wire rope core from a thorough inspection of the wire ropes broken wires in a strand, abrasion of the wires in the strands, and the change in the diameter of the overall rope. The inspection criterion requires a thorough visual inspection of the rope.

The number of broken strands is a key aspect of all the ASME codes. Due to the primary role, it plays in determining the integrity of the rope core, a summary of the ASME code allowable broken strands can be seen in the table below.

Table 6. Allowable broken strands by ASME Code

ASME STANDARD	EQUIPMENT CONNECTION	NUMBER OF BROKEN WIRES IN RUNNING ROPES		NUMBER OF BROKEN WIRES IN STANDING ROPES	
		IN ONE		IN ONE	
		ROPE LAY	STRAND	ROPE LAY	STRAND
ASME/B30.2	Overhead & Gantry Cranes	12**	4	Not Specified	
ASME/B30.4	Portal, Tower, & Pillar Cranes	6**	3	3	2
ASME/B30.5	Crawler, Locomotive & Truck Cranes: Retirement criteria based on number of broken wires rev B. Rotation Resistant Rope found in length of rope equal to 6x rope diameter – 2 broken wires maximum; and 30x rope diameter – 4 broken wires maximum.				
ASME/B30.5	Running Rope	6**	3	3	2
ASME/B30.6	Derricks	6**	3	3	2
ASME/B30.7	Base Mounted Drum Hoists	6**	3	3	2
ASME/B30.8	Floating Cranes & Derricks	6**	3	3	2
ASME/B30.16	Overhead Hoists	12**	4	Not Specified	
ANSI/A10.4	Personnel Hoists	6**	3	2**	2
ANSI/A10.5	Material Hoists	6**	Not Specified		

****Also remove for 1 valley break**

3.6 Daily Inspections

Please note that these inspection guidelines are a minimum. Take caution and ensure that any and all working parts and safety related products are thoroughly inspected and that all bolts are secure before use. As a means of properly maintaining the Auto-Belay Safety System and ensuring proper safety for the climber, a daily inspection is required. The checklist in section 3.10.2 should be followed and completed daily.

You may download a Daily Inspection Checklist from www.spectrumsports.com.

3.7 Weekly Inspections

Weekly inspections are intended to be more in-depth than daily inspections. On the Auto-Belay Safety System, no component will fail without first revealing warning signs due to wear or damage. In conjunction with the daily inspections, the weekly inspections should be sufficient to find any potential problem well before failure becomes imminent. The checklist in section 3.10.3 should be followed and completed on a weekly basis.

You may download a Weekly Inspection Checklist from www.spectrumsports.com.

3.8 3 Month Inspections

3 month inspections are intended to be more in-depth than daily or weekly inspections. On the Auto-Belay Safety System, no component will fail without first revealing warning signs due to wear or damage. In conjunction with the daily and weekly inspections, 3 month inspections should be sufficient to find any potential problem well before failure becomes imminent. The checklist in section 3.10.4 should be followed and completed on a 3-month basis.

You may download a 3 Month Inspection Checklist from www.spectrumsports.com.

3.9 12 Month Inspections

12 month inspections are intended to be more in-depth than the prior inspections, and include a mandatory replacement of parts. On the Auto-Belay Safety System, no component will fail without first revealing warning signs due to wear or damage. In conjunction with all of the prior mentioned inspections, the 12 month inspections should be sufficient to find any potential problem well before failure becomes imminent. The checklist in section 3.10.5 should be followed and completed on an annual (12 month) basis.

You may download a 12 Month Inspection Checklist from www.spectrumsports.com.

3.10 Inspection Checklists

3.10.1 Quick Reference Checklist

Table 7. Quick Reference Inspection Checklist

INSPECT THIS:	DAILY	WEEKLY	3 MONTH	12 MONTH
Cable has tension on it (No slack)	X			
Cable crimps	X			
Cable for any broken wires, twists, kinks, or flat spots	X			
Air Pressure	X			
Oil level	X			
*Proper priming of Auto-Belay (see section 3.1)	X			
Cable tracks in the pulleys correctly	X			
Carabineer	X			
Quick Link	X			
Harness Stitching	X			
Swivel	X			
Pulley's for wear or damage		X		
Hydraulic Hoses		X		
Visual Inspection		X		
Auto-Belay mounting bolts			X	
Davit Mounts/Hardware/Pulleys			X	
Cable Replacement				X
Hardware replacement				X
Connection Hardware				X

3.10.2 Daily Inspection Checklist

Table 8. Daily Inspection Checklist

CLIMBING ROUTES					Daily Inspection Check list				
1	2	3	4	5	Cable Inspections				
6	7	8	9	10	Verify that the cables are up to date on their certification. Check every inch of cable for the following: Broken wires, "bird-caging", twists, kinks, or flat spots greater than 1/2 the diameter of a single strand. If any apply, replace immediately.				
(Check off applicable route after each step.)									
1	2	3	4	5	Cable Termination Inspections				
6	7	8	9	10	Ensure that cable ends are secure and termination points are secure. Lift up the hose on the climbing end of the cable to inspect the crimped ends				
1	2	3	4	5	Pulley Cart				
6	7	8	9	10	Ensure that the pulley cart is free from debris and any particles from wall surface. Check to ensure that the pulley cart is not obstructed in any way. Check bearing wheels for proper contact				
1	2	3	4	5	Cable Slack				
6	7	8	9	10	Ensure there is NO slack in front or behind the climbing structure/wall. There should always be tension on the cable!!				
1	2	3	4	5	Air Pressure				
6	7	8	9	10	<i>(Write in the air pressure in the square to the left NOT a check mark!)</i>				
					Look at the sticker on the side of the AB tank to ensure proper air pressure for each AB system				
1	2	3	4	5	Hydraulic Fluid				
6	7	8	9	10	Hydraulic fluid level should be visible in oil eye/lens. ISO 32 fluid is required; the following name brand fluids are available: MOBILE DTE-24, TEXACO RANDO-32, and CHEVRON AW-32.				
1	2	3	4	5	Attachment Hardware				
6	7	8	9	10	Carabineer – If the auto-locking Carabineer is not locking positively or if it is sticking open, replace immediately. Swivel- Needs to spin freely without sticking. Quick Link - Must be tighter than "finger tight".				
1	2	3	4	5	Auto - Belay Priming				
6	7	8	9	10	Ensure that the Auto-Belay has been properly primed. (See page 8 "Priming of the Auto-Belay")				
Comments:									
Operator:									
Date:									
Questions call;		888-563-0163 Spectrum Sports Int'l, www.spectrumsports.com							

3.10.3 Weekly Inspection Checklist

Table 9. Weekly Inspection Checklist

CLIMBING ROUTES					Weekly Inspection Check list				
1	2	3	4	5	Cable Inspections				
6	7	8	9	10	Verify that the cables are up to date on their certification. Check every inch of cable for the following: Broken wires, "bird-caging", twists, kinks, or flat spots greater than 1/2 the diameter of a single strand. If any apply, replace immediately.				
(Check off applicable route after each step.)									
1	2	3	4	5	Cable Termination Inspections				
6	7	8	9	10	Ensure that cable ends are secure and termination points are secure. Lift up the hose on the climbing end of the cable to inspect the crimped ends				
1	2	3	4	5	Pulley Cart				
6	7	8	9	10	Ensure that the Pulley cart is free from debris and any particles from wall surface. Check to ensure that the pulley cart is not obstructed in any way. Check bearing wheels for proper contact.				
1	2	3	4	5	Cable Slack				
6	7	8	9	10	Ensure there is NO slack in front or behind the climbing structure/wall. There should always be tension on the cable!!				
1	2	3	4	5	Air Pressure				
6	7	8	9	10	<i>(Write in the air pressure in the square to the left NOT a check mark!)</i> Look at the sticker on the side of the AB tank to ensure proper air pressure for each AB system				
1	2	3	4	5	Hydraulic Fluid				
6	7	8	9	10	Hydraulic fluid level should be visible in oil eye/lens. ISO 32 fluid is required; the following name brand fluids are available: MOBILE DTE-24, TEXACO RANDO-32, and CHEVRON AW-				
1	2	3	4	5	Attachment Hardware				
6	7	8	9	10	Carabineer – If the auto-locking Carabineer is not locking positively or if it is sticking open, replace immediately. Swivel- Needs to spin freely without sticking. Quick Link - Must be tighter than "finger tight".				
1	2	3	4	5	Pulley Wear and Inspection				
6	7	8	9	10	Inspect pulleys for excessive wear, cracks or splits. This is accomplished by rotating the pulley and inspecting the groove for wear depth. The pulleys should not wiggle side-to-side during operation. Replace if any damage is present.				
1	2	3	4	5	Hydraulic Cylinders				
6	7	8	9	10	Inspect for any oil leakage around fittings, site gauge, hoses, plugs, and oil containment systems. Some seepage is expected during normal use. Check for pitting and abrasions. Tighten and document any alterations to the system.				
1	2	3	4	5	Visual Inspection				
6	7	8	9	10	Vissually inspect all structural components: Wall frame, davits, trailer, etc for damage or cracking.				
1	2	3	4	5	Auto - Belay Priming				
6	7	8	9	10	Ensure that the Auto-Belay has been properly primed. (See page 8 "Priming of the Auto-Belay")				
Comments:									
Operator									
Date									
Questions call:					<i>888-563-0163 Spectrum Sports Int'l, www.spectrumsports.com</i>				

3.10.4 3 Month Inspection Checklist

Table 10. 3 Month Inspection Checklist

CLIMBING ROUTES					3 Month Inspection Check list
1	2	3	4	5	Cable Inspections
6	7	8	9	10	Verify that the cables are up to date on their certification. Check every inch of cable for the following: Broken wires, "bird-caging", twists, kinks, or flat spots greater than 1/2 the diameter of a single strand. If any apply, replace immediately.
(Check off applicable route after each step.)					
1	2	3	4	5	Cable Termination Inspections
6	7	8	9	10	Ensure that cable ends are secure and terminations points are secure/lift up the hose on the CABLE to inspect the Crimped ends
1	2	3	4	5	Pulley Cart
6	7	8	9	10	Ensure that the pulley cart is free from debris and any particles from wall surface. Check to ensure that the pulley cart is not obstructed in any way. Check bearing wheels for proper contact
1	2	3	4	5	Cable Slack
6	7	8	9	10	Ensure there is NO slack in front or behind the climbing structure/wall. There should always be tension on the cable!!
1	2	3	4	5	Air Pressure
6	7	8	9	10	<i>(Write in the air pressure in the square to the left NOT a check mark!)</i> Look at the sticker on the side of the AB tank to ensure proper air pressure for each AB system
1	2	3	4	5	Hydraulic Fluid
6	7	8	9	10	Hydraulic Fluid level should be visible in oil eye/lens. ISO 32 fluid is required; the following name brand fluid is available: MOBILE DTE-24, TEXACO RANDO-32, and CHEVRON AW-32.
1	2	3	4	5	Attachment Hardware
6	7	8	9	10	Carabineer - If the auto-locking Carabineer is not locking positively or if it is sticking open, replace immediately. Swivel- Needs to spin freely without sticking. Quick Link - Must be tighter than "finger tight".
1	2	3	4	5	Pulley Wear and Inspection
6	7	8	9	10	Inspect pulleys for excessive wear, cracks or splits. This is accomplished by rotating the pulley and inspecting the groove for wear depth. The pulleys should not wiggle side-to-side during operation. Replace if any damage is present.
1	2	3	4	5	Hydraulic Cylinders
6	7	8	9	10	Inspect for any oil leakage, around fittings, site gauge, hoses, Plugs, and oil containments systems. Some seepage is expected during normal use. Check for pitting and abrasions. Tighten and document any alternations to the system.
1	2	3	4	5	Visual Inspection
6	7	8	9	10	Vissually inspect all structural components: Wall frame, davits, trailer, etc for damage or cracking.
1	2	3	4	5	Mounting Hardware
6	7	8	9	10	Inspect all mounting hardware on the Auto-Belay and the davits.
1	2	3	4	5	Oil Containment System
6	7	8	9	10	Inspect all fittings and check for leaks. Document the amount of fluid in each bottle. Refer to owners manual for more information.
1	2	3	4	5	Auto - Belay Priming
6	7	8	9	10	Ensure that the Auto-Belay has been properly primed. (See page 8 "Priming of the Auto-Belay")
Comments:					
Operator					
Date					
Questions call;	888-563-0163 Spectrum Sports Int'l , www.spectrumsports.com				

3.10.5 12 Month Inspection Checklist

Table 11. 12 Month Inspection Checklist

CLIMBING ROUTES					12 Month Inspection Check list					
1	2	3	4	5	Cable Inspections	<p>⚠ Cable must be replaced with certified Spectrum Sports Intl cable. Check every inch of cable for the following: Broken wires, "bird-caging", twists, frays, kinks, or flat spots greater than 1/2 the diameter of a single strand. If any apply, replace immediately.</p>				
6	7	8	9	10	(Check off applicable route after each step.)					
1	2	3	4	5	Cable Termination Inspections	<p>Ensure that cable ends are secure and terminations points are secure/lift up the hose on the CABLE to inspect the Crimped ends</p>				
6	7	8	9	10						
1	2	3	4	5	Pulley Cart	<p>Ensure that the pulley cart is free from debris and any particles from wall surface. Check to ensure that the pulley cart is not obstructed in any way. Check bearing wheels for proper</p>				
6	7	8	9	10						
1	2	3	4	5	Cable Slack	<p>Ensure there is NO slack in front or behind the climbing structure/wall. There should always be tension on the cable!!</p>				
6	7	8	9	10						
1	2	3	4	5	Air Pressure	<p><i>(Write in the air pressure in the square to the left NOT a check mark!)</i></p> <p>Look at the sticker on the side of the AB tank to ensure proper air pressure for each AB system.</p>				
6	7	8	9	10						
1	2	3	4	5	Hydraulic Fluid	<p>Hydraulic Fluid level should be visible in oil eye/lens. ISO 32 fluid is required; the following name brand fluid is available: MOBILE DTE-24, TEXACO RANDO-32, and CHEVRON AW-32.</p>				
6	7	8	9	10						
1	2	3	4	5	Attachment Hardware	<p>Carabineer – If the auto-locking Carabineer is not locking positively or if it is sticking open, replace immediately. Swivel- Needs to spin freely without sticking. Quick Link - Must be tighter than "finger tight".</p>				
6	7	8	9	10						
1	2	3	4	5	Pulley Wear and Inspection	<p>Inspect pulleys for excessive wear, cracks or splits. This is accomplished by rotating the pulley and inspecting the groove for wear depth. The pulleys should not wiggle side-to-side during operation. Replace if any damage is present.</p>				
6	7	8	9	10						
1	2	3	4	5	Hydraulic Cylinders	<p>Inspect for any oil leakage, around fittings, site gauge, hoses, Plugs, and oil containments systems. Some seepage is expected during normal use. Check for pitting and abrasions. Tighten and document any alternations to the system.</p>				
6	7	8	9	10						
1	2	3	4	5	Visual Inspection	<p>Vissually inspect all structural components: Wall frame, davits, trailer, etc for damage or</p>				
6	7	8	9	10						
1	2	3	4	5	Mounting Hardware	<p>Inspect all mounting hardware on the Auto-Belay and the davits.</p>				
6	7	8	9	10						
1	2	3	4	5	Oil Containment System	<p>Inspect all fittings and check for leaks. Document the amount of fluid in each bottle. Refer to owners manual for more information.</p>				
6	7	8	9	10						
1	2	3	4	5	Pulley Hardware	<p>All pulley bolts and applicable Nylock nuts must be replaced.</p>				
6	7	8	9	10						
1	2	3	4	5	Auto - Belay Priming	<p>Ensure that the Auto-Belay has been properly primed. (See page 8 "Priming of the Auto-Belay")</p>				
6	7	8	9	10						
Comments:										
Operator:										
Date:										
Questions call;		888-563-0163 Spectrum Sports Int'l, www.spectrumsports.com								

3.11 Non-Destructive Examination (NDE) Inspection Policy

Spectrum Sports Intl has had a third-party structural analysis for all our products since 2004. These analyses call out for “visual inspections” for specific items.

Spectrum Sports Intl requires visual inspections of the applicable items as called out in the “Inspections” section of this product owners/operators manual.



Attention!

The documented daily, weekly, quarterly, and annual inspections must be completed to ensure safe operations of all products.

4. INSTALLATION



Attention!

Installation must be performed by Authorized Personnel. All installation guidelines from Spectrum Sports Intl must be followed to ensure proper and safe operation of the Auto-Belay, Auto-Retract, and Zig-Zag Zip (Auto-Zip) Safety Systems.

Installation standards are for US Building Codes only. These guidelines may not conform with standards found outside the United States. For installations outside the United States a certified Spectrum Sports Int'l Employee (or employee of a certified distributor) must be used to ensure proper conversions and standards are met!

The Safety System may be installed into either an appropriate steel structure (perhaps the wall steel framework), or into a concrete floor with appropriately rated epoxy chemical anchors and/or mechanical anchor bolts. If the Auto -Belay Safety System is mounted to the floor (concrete), it will need at least 4 inches imbed in 3000 psi concrete. The Auto-Belay Safety System needs to be located where a daily inspection can be performed. Typically, the installation is directly behind the wall from the climbing surface, about 6 to 8 inches off the ground. Alterations may be made by Spectrum Sports Intl employees as necessary. Any and all deviations in location of the Auto-Belay Safety System must be performed by a Spectrum Sports Intl employee or under their supervision.

When installing the Auto-Belay Safety System into a climbing structure, use the following hardware as a minimum: Four ½"-13 Grade 5 bolts with eight washers (one at each end of the bolt) and eight Nylock nuts per Auto-Belay. Use a bolt long enough that there is a minimum of 3-4 threads protruding past the Nylock nuts. Torque nuts to 55 ft. lbs., and annually check the torque thereafter.

Under normal operations, the Auto-Belay Safety System applies a maximum transient force of 400 lbs. (upward direction) to the structure. In the event of an Auto-Belay failure (i.e. The Auto-Belay fails to take up the cable and the climber falls a short distance), the maximum up-force can be as high as 2000 lbs. The Auto-Belay connection structure should be able to withstand the 2000 lb. failure load with the same consideration given in UBC Allowable Stress Design – Alternate Basic Load Combinations (Section 1612.3.2, 1997 Uniform Building Code). The fatigue load is 400 lbs. of up-force.

For attachment of the Auto-Belay Safety System to a steel framework, the framework should be sufficient to withstand the following design loads.

Table 12. Auto-Belay Design Load

LOAD	MAGNITUDE	DIRECTION
AB32 – AB75 Normal Design Load	400 lbs.	Upward
AB32 – AB75 Failure Design Load	2000 lbs.	Upward
Zig-Zag Zip (Auto-Zip) Line Load	760 lbs.	Toward Passenger

The framework should use the mounting holes on the Auto-Belay Safety System as indicated on the Auto-Belay Safety System drawings.



Attention!

The Auto-Belay Safety System was designed to operate in the vertical position. Installing the Auto-Belay Safety System other than vertical will limit the ability to operate properly.

4.1 Auto-Belay Mounts

Spectrum Sports Intl has different options for installing or mounting the Auto-Belay Safety System to a structure. You can choose which one works the best for your application. If you need to install the Auto-Belay Safety System in a manner that is not shown in this manual, we highly recommend that you contact Spectrum Sports Intl for direction or view the following site: www.spectrumsports.com/installationmanuals.

Installation Examples:

- Existing Wall Mount
- Climbing Structure Mount
- Remote Room Mount
- Floor Mount (mounting the system to a free standing engineered structure)

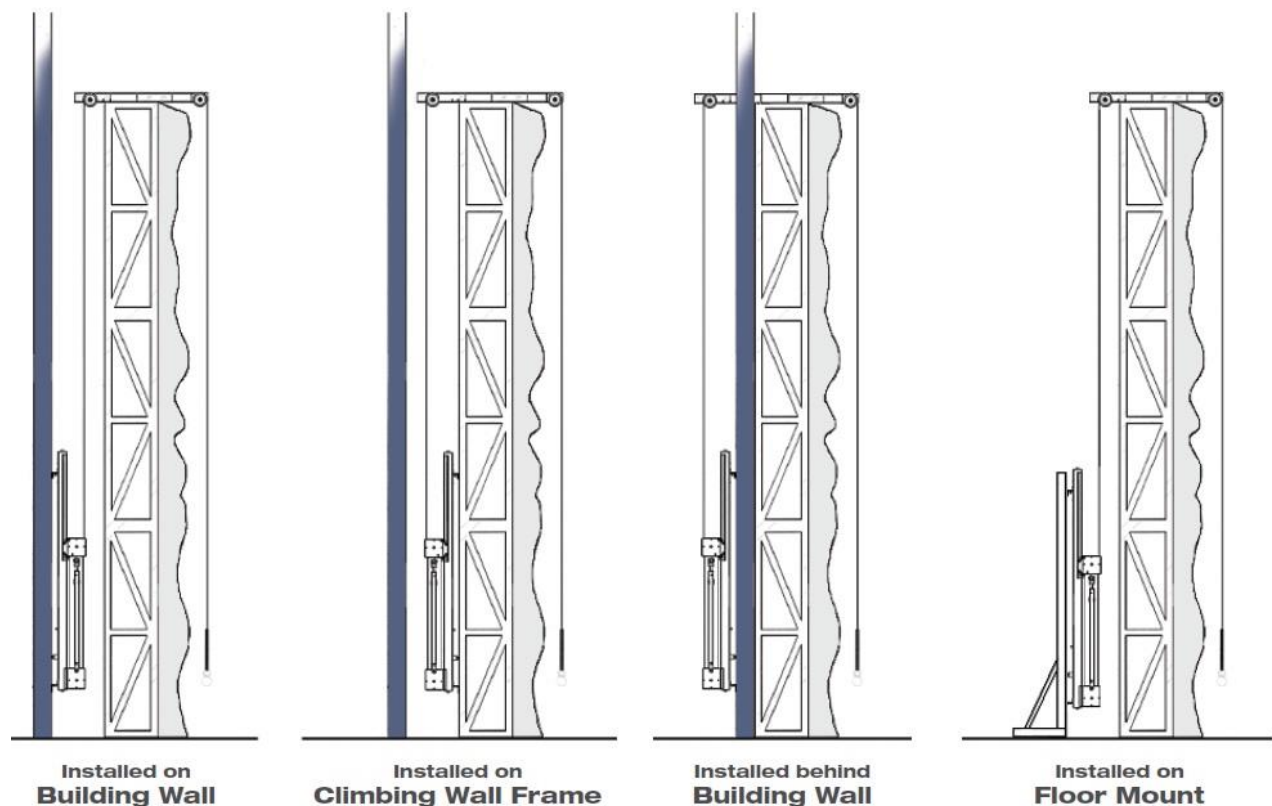


Figure 3. Auto-Belay Mounting Examples

4.2 Davit Installation

A “Davit” is a steel support arm that aligns the cable from the Auto-Belay Safety System to the front of the climbing surface to the climber. The Davit is installed at the top of the climbing structure with a pulley on the front side of the structure and the second pulley on the back side of the climbing structure, the Davit must be installed so that the pulley blocks of the Auto-Belay Safety System and the rear pulley on the davit are in a plumb line. The cable should not rub against anything behind the rock climbing wall. This will prevent the cable from wearing prematurely, and ensure that the Auto-Belay Safety System operates properly. Please call Spectrum Sports Intl for answers to any questions regarding davit alignment or visit the following site: www.spectrumsports.com/installationmanuals.

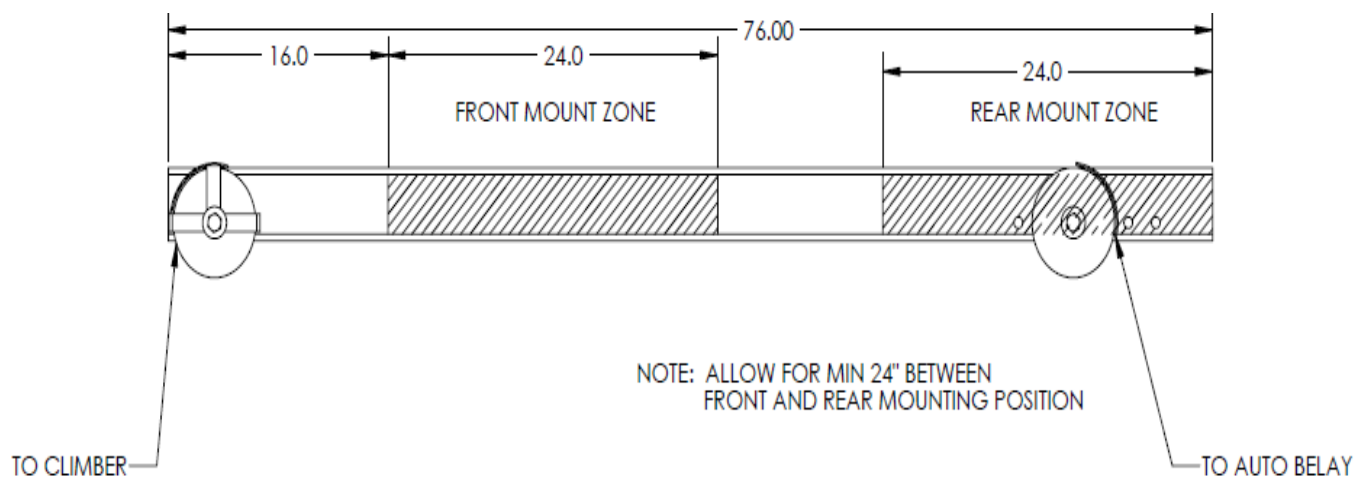


Figure 4. Davit Installation

We offer engineered Davits that will accommodate most climbing wall installations. Please call if you have questions on the installation. The Davit must be secured to a solid surface, generally steel or cement. They can be welded, bolted, or anchored with the use of appropriately rated epoxy chemical anchors and anchor bolts.

4.3 Structural Approval

The Auto-Belay Safety System is basically the same safety device as that used on our standard amusement related products. However, rather than using a stand-alone trailer or stationary back-support for stabilization, the Auto-Belay Safety System must be properly installed within the structure of the climbing structure itself or through concrete anchors. Before installation of the Auto-Belay Safety System, please make sure that you understand the installation for this product. In addition, before public use of the Auto-Belay Safety System, you should have received an Engineering Certificate and/or approval specific to your structure and in compliance with any local government agency or governing body. Spectrum Sports Intl highly advises that each site and/or installation have an engineering stamp of approval by a certified structural engineer before the wall can be used for climbing. It is the responsibility of the customer/wall owner to ensure that this is done; however, if requested, Spectrum Sports Intl can provide a seal of approval depending upon the state for a competitively priced fee.

5. OPERATING THE AUTO-BELAY

Once you understand how the Auto-Belay Safety System works, and how to inspect it, you need to understand how to operate it. Follow the steps below to ensure safe usage of the Auto-Belay system.



Attention!

Make sure you read and understand this section thoroughly before using the product.

Complete the following steps to operate the Auto-Belay Safety System:

1. Complete the daily checklist.
2. Confirm that the cable has tension in it.
3. Before someone climbs, instruct the climber regarding the proper protocol to follow during and after climbing. This includes the following:
*When a climber has finished climbing (reaches the top, falls, or cannot support themselves while climbing), inform them to grab hold of the red hose on the cable and “sit” in the harness with their feet toward the climbing structure. This will allow the Auto-Belay Safety System to slowly lower the climber. **Inform the climber to land on their feet first!***
4. Confirm that the climbing harness is secure and on properly.
5. Unhook the Auto-Belay cable from the static/locked position and hook it to the climbing harness. **Be sure that you hear the carabiner click into the locked position!** Double check the tension on the cable by pulling down and feeling the up-pull.
6. Instruct the climber on how to climb, meanwhile paying attention to the tension on the cable.



Warning!

If slack occurs at any time during the climb, STOP CLIMBING UP and slowly climb down. DO NOT LET GO and fall with slack in the cable. Serious injury may occur.

7. Once the climber has descended and is standing on the ground, unhook them from the Auto-Belay Safety System. Once they are “OFF” the Auto-Belay Safety System, remove the climbing safety harness from them.



Warning!

DO NOT ALLOW THEM TO CLIMB ON THE TOWER WITHOUT A HARNESS OR BEING SECURED INTO THE AUTO-BELAY SAFETY SYSTEM.

8. Remove the person from the “Climbing Zone.”

6. WARRANTY

6.1 Warranties and Liabilities

The warranty is established from the date of invoice.

Product Warranty: 90 Days. Wear parts are not included under this warranty. Warranty is only extended to the original owner after 90 days per the following:

- *Steel Frame* – Limited Life Time on upper pulley cart and belay tank. Does not include any frame damage due to improper installation or damage due to misuse.
- *Powder Coating* – 90 Days. Does not include any blemish due to normal wear and/or abusive use. Warranty is limited.
- *Hydraulic Cylinder(s)* – 90 days per manufacturer specifications. Does not include normal wear and tear. Void if determined that any other hydraulic fluid, other than what has been specified by manufacturer, has been used. If you have questions, please call Spectrum Sports Intl.
- *Cable (Spectrum Sports Intl Certified)* – 90 Days.
- *Climbing Surface*- 90 days. On climbing surfaces, it is not unusual to have cracks and air pockets in the part. This is normal and repair of this is NOT covered under this warranty
- *Steel Trailer and Steel Tower Uppers*- 1 year on welds and structure. Any cracks in the steel must be reported to Spectrum Sports Intl immediately and we will determine if the crack is structural or operator error is step up.
- *Handholds, banners, timers, and other misc. parts*- 90 Days. Wear and Tear is NOT included under this warranty.

General warranty conditions do NOT include shipping costs to Spectrum Sports Intl.

On items that can be shipped by US Postal and/or overnight parcel carriers, Spectrum Sports Intl will pay for the same class or rate of service on return shipment as it was received from the customer. Spectrum Sports Intl uses fabricators, distributors and/or service agents local to customer for steel, fiberglass, and hydraulic parts to determine cause and/or repair of this particular part. Should it be determined that the defect is due to abuse or misuse, any and all warranty rights or responsibilities are void. Spectrum Sports Intl reserves the right to void warranty service on any modification to product done by customer. Spectrum Sports Intl is in no way responsible for lost revenue or income while product is not in operation due to warranty or any other problems due to installation and/or operations.

Spectrum Sports Intl: Limited Warranty, Limited Remedy, and Liability Release



Attention!

It is important to read all of the components of this manual and form.

Limited Warranty:

Spectrum Sports Intl warranties and obligations set forth below are in lieu of any other express warranties or obligations of Spectrum Sports Intl, its distributors, or resellers/retailers. The warranties and limitations extend only for the person who originally purchased the product.

Per the warranty section of this manual, Spectrum Sports Intl for a period of 90-days or life time, depending upon the item or stated claim (see Warranty section) from date of purchase will at manufacturer's option, repair or replace at no charge, any Spectrum Sports Intl Auto-Belay, Auto-Retract, and Zig-Zag Zip (Auto-Zip) Safety Systems which break or are defective in materials or workmanship. Damage due to misuse, abuse, or modification is excluded – as is normal wear (such as indicated in the warranty section), dings, scratches, seal wear, cable wear, pulley wear, etc.

Any modifications to any part of the Spectrum Sports Intl product or modifications of any of the third-party products that are included with the product, will forfeit any warranty claim. The product must be in the original form from the manufacturer.

Cleaning and Maintenance:

Under no circumstances should the unit be serviced by any unqualified person(s). Any work to the steel frame, hydraulic Auto-Belay, Auto-Retract, and Zig-Zag Zip (Auto-Zip) Safety Systems or cable/roping should be performed by an experienced person in the field of service who is certified, bonded, etc., to perform the work. It is the owners' responsibility to ask for such certification and/or bonding verification.

Cleaning of the unit should be similar to an automobile (i.e. car wash with spray washers and mild detergents). Any person(s) who work on the Auto-Belay and are not authorized and/or not trained by Spectrum Sports Intl, will take 100% responsibility and liability on the product.

Limitation of Remedy:

During the period of warranty, Spectrum Sports Intl will do everything we can to answer and resolve any questions or concerns on the products we sell. Spectrum Sports Intl has the right to evaluate if a product is under warranty. To obtain repair or replacement parts, call or fax Spectrum Sports Intl Customer Service for a return authorization number. Include the following information:

- Your name
- Address
- Date of purchase
- Address where product is located
- Office phone or mobile phone (if at an event)
- Product model and serial number

At your expense, ship or deliver the product to:

Spectrum Sports Intl
3785 N. HWY 91
Hyde Park, UT 84318

Replaced or repaired items will be shipped back to you at no cost and will be shipped in the same manner as it was received (i.e. overnight, ground, etc.). For items that must be received before the defective part is sent to Spectrum Sports Intl it is REQUIRED that a valid credit card be charged for

the warranty item before Spectrum Sports Intl will ship. Once Spectrum Sports Intl receives the old part, a credit will be issued back to the credit card.

Waiver & Release from Liability

NOTICE: BY ACCEPTING YOUR _____, YOU ARE ACKNOWLEDGING THAT YOU HAVE READ, UNDERSTOOD AND ACCEPTED THE TERMS AND CONDITIONS STATED IN THIS MANUAL. YOU FURTHER ACKNOWLEDGE AND AGREE THAT YOU ARE WAIVING YOUR RIGHTS TO SUE OR BRING A COURT ACTION TO RECOVER COMPENSATION OR OBTAIN ANY OTHER REMEDY FOR ANY INJURY TO YOURSELF OR YOUR PROPERTY.

This Release, Waiver and Assumption of Risk (“Agreement”) entered into by and between the owner/operator, on behalf of his/her/its heirs, legal representatives, personal representatives, attorneys, affiliates, administrators, successors and assigns (“Releasor”) and in favor of KBG International, Inc. a Utah corporation doing business as Spectrum Sports Intl, its past, present and future officers, directors, stockholders, attorneys, agents, servants, representatives, employees, subsidiaries, affiliates, partners, insurers, predecessors and successors in interest, indemnitors, assigns and other related or affiliated entities or persons (“Releasee”), desires to operate a _____ and any other recreational activities associated therewith (the “Activities”). In consideration for Spectrum Sports Intl providing maintenance or service to my equipment or permitting me to purchase and/or otherwise operate and engage in these Activities, I have agreed to execute this Acknowledgment, Waiver & Release and further, more particularly, agree as follows:

ACKNOWLEDGEMENT: I acknowledge and am thoroughly aware that there are significant inherent risks and hazards associated with the Activities and all other outdoor recreational activities or being a spectator of these Activities. **I FULLY ACKNOWLEDGE AND UNDERSTAND THAT PARTICIPATION IN THESE ACTIVITIES CONTAINS INHERENT RISKS THAT MAY BE UNKNOWN OR UNANTICIPATED THAT MAY RESULT IN PHYSICAL OR EMOTIONAL INJURY INCLUDING BUT NOT LIMITED TO PARALYSIS, PERMANENT INJURY OR DEATH AND DAMAGE TO PROPERTY OR TO OTHER THIRD PARTIES.**

I further acknowledge that the nature and extent of the risks and hazards inherent in the Activities and my pursuit of these activities include or operating equipment associated with the Activities, but are not limited to:

1. Severe bodily injury or death resulting from the Activities and equipment utilized in connection with the Activities;
2. Severe bodily injury or death resulting from equipment failure and/or malfunction of my own or others’ equipment, including, but not limited to, failures of ropes, slings, climbing harnesses, bolts, bolt hangers, fixed anchor points;
3. Severe bodily injury or death resulting from falling climbers/participants or falling or dropped items, including, but not limited to, ropes, climbing hardware or other debris;
4. Severe bodily injury or death from improperly placed or faulty climbing protection, improperly tied knots, improperly buckled harnesses, or improper rope/cable, belay, rope/cable ascending or rope/cable descending techniques;

5. Severe bodily injury or death resulting from operator or participants own negligence or the negligence of others including other climbers, operators, participants, spectators or users;
6. Severe bodily injury or death resulting from personal physical and mental limitations, including, but not limited to, fatigue, chill and/or dizziness, personal strength, coordination, sense of balance, which may diminish reaction time and increase risks of accident and ability to follow or give directions while climbing, lifting, spotting or being a spectator;
7. Severe bodily injury or death resulting from hazardous terrain or adverse weather conditions, including wind, rain, snow, hail or sleet;
8. Severe bodily injury or death resulting from not following proper and customary personal safety procedures including procedures outlined in the owner's manual for the equipment
9. Severe bodily injury or death resulting from not having qualified personnel maintain or service the equipment and/or not properly inspecting the equipment in accordance with the owner's manual.

I acknowledge that the above list of severe bodily injuries, dangers, hazards, and risks are described by way of example only, and are not inclusive of all possible risks associated with the Activities, and that other unknown and unanticipated risks may result in bodily injury, illness or death. **I VOLUNTARILY ASSUME ALL SUCH RISKS WITH FULL KNOWLEDGE AND APPRECIATION OF THE DANGERS AND RISKS INVOLVED.**

RELEASE ASSUMPTION OF RISK AND RESPONSIBILITY: In consideration of my being allowed to participate and operate the equipment to conduct the Activities, and in recognition of the inherent risks of the Activities, I knowingly and intentionally agree on behalf of myself, my/our heirs, representatives, successors, officers, directors, stockholders, employees, executors, administrators, assigns, and anyone claiming interest through me, or on my behalf hereby **KNOWINGLY, INTENTIONALLY, AND VOLUNTARILY, RELEASE, WAIVE, DISCHARGE, HOLD HARMLESS AND AGREE NOT TO SUE** Releasees in or from any and all actions, suits, claims damages and liability **(INCLUDING ATTORNEY FEES OR COSTS)** or demands, obligations and/or causes of action of any nature whatsoever which I/we or, my heirs, representatives, successors, officers, directors, stockholders, employees, executors, customers, participants, administrators, assigns, and anyone claiming interest through me or my customers/participants may have against Releasees on account of any personal injury, property damage, death or accident of any kind arising out of or in any way connected with my operation of any equipment or anyone's participation in the Activities. I agree to indemnify and hold harmless Releasees from any and all liabilities or claims made by other individuals or entities as a result of my operation of or participation in the Activities. This release shall be effective even though said loss, damage, injury, paralysis, loss, or death results or has resulted from negligence, wrongful acts, omissions, breach of warranty or strict tort liability of Releasees (whether as the manufacturer or servicer of the equipment).

I further certify, acknowledge and agree on behalf of myself (or the company listed above) that I am physically and mentally capable of participating in these Activities;

I assume responsibility for and voluntarily assume the risks for any personal injury, death and related expenses involved with these Activities;

I assume responsibility for damage to my/our person or property or the person or property of participants in the Activities;

I agree to indemnify and hold harmless Releasees for any and all claims, as well as all fees and costs. I further agree to indemnify and hold harmless Releasees for any and all claims for products they did not manufacture, maintain or service.

I also understand that Spectrum Sports Intl is not responsible for claims or allegations regarding any product manufactured or produced by other parties or entities.

I certify that I have adequate insurance to cover any injury or damage I may cause or suffer while operating or participating, or else I agree to bear the costs of such injury or damage to myself or my customers. I further agree to name Spectrum Sports Intl as an additional insured party on my liability insurance policy with limits of not less than \$1,000,000 per occurrence and \$2,000,000 in the aggregate.

Agreement:

I understand how to operate the climbing product safely. This means that I do understand, but not necessarily limited to, how the Auto-Belay, Auto-Retract, and Zig-Zag Zip (Auto-Zip) Safety Systems work on the climbing products, how to perform all of the required safety inspections, the rules, and in general manage crowd and staffing operational issues.

Acknowledgement:

I have carefully read this limited warranty, limited remedy, and release of liability and fully understand its contents. I am aware that this is a release of liability and a contract between me and Spectrum Sports Intl and its manufacturers, distributors, and retailers.

I understand that if I do not understand this warranty or understand the contents and accept the personal liability in the operations and the safety of the products, I will notify Spectrum Sports Intl in writing immediately. I also acknowledge that I will not operate the said products until I do so.

Limited Liability Warranty

Equipment manufactured by Spectrum Sports Intl, 3785 N. HWY 91, Hyde Park UT 84318, is warranted free from defect in material and workmanship for a period of 90 days from the date of purchase. Equipment not manufactured by Spectrum Sports Intl is covered to the extent of warranty provided by the original manufacturer and this warranty does not cover any equipment, new or used, purchased from anyone other than Spectrum Sports, Intl. All replacement parts shall be covered under warranty for a period of 90 days from date of purchase. SPECTRUM SPORTS, INTL MAKES NO OTHER REPRESENTATION OF WARRANTY OF ANY OTHER KIND, EXPRESSED OR IMPLIED, WITH RESPECT TO THE GOODS SOLD HEREUNDER, WHETHER AS TO MERCHANTABILITY, FITNESS FOR PURPOSE, OR OTHERWISE.

Spectrum Sports Intl sole obligation under this warranty shall be to repair or replace any part or parts which, to Spectrum Sports Intl satisfaction, prove to be defective upon prepaid return to Spectrum Sports Intl 3785 N. HWY 91, Hyde Park UT 84318. In such a case, once the necessary repair(s) has/have been made or a replacement part secured, Spectrum Sports Intl will pay the cost to return the item back to the customer. This obligation does not, however, include labor to install

replacement parts, nor does it cover any failure due to accident, abuse, neglect, or use in disregard of instructions furnished by Spectrum Sports Intl. SPECTRUM SPORTS INTL SHALL NOT BE LIABLE FOR INCIDENTAL OR CONSEQUENTIAL DAMAGES WHATSOEVER.

All claims regarding the parts or equipment must be made within two (2) days after Purchaser learns of the facts upon which the claim is based. Authorization must be obtained from Spectrum Sports Intl prior to returning any equipment, components, or parts. This warranty is voided by failure to comply with these notice requirements.

Production output is dependent on feed stock, input, and many other variables beyond the control of Spectrum Sports Intl; therefore, Spectrum Sports Intl makes no guarantees expressed or implied as to production performance.

NOTE: For all issues and warranty situations in the European Union, please contact:

Phil Pickersgill

Innovative Leisure Ltd

011 44 116 288 72 63

Phil.p@innovativeleisure.co.uk



Attention!

The warranty on Spectrum Sports Intl equipment remains valid only when genuine Spectrum Sports Intl replacement parts are employed. If anyone other than Spectrum Sports Intl authorized service technicians perform work or modify/repair any part of the product, it will VOID the warranty and any clause to our Liability. If purchaser defaults in making payment for any parts or equipment, this warranty shall be void and shall not apply to such parts and equipment. No late payment or cure of default in payment shall extend the warranty period provided herein.

Spectrum Sports Intl is not responsible for damage to any associated instruments, equipment or apparatus nor will Spectrum Sports Intl be held liable for loss of profit or other special damages for any reason. The Buyer, their employees, agents, and successors in interest assume all risks and liabilities for the operation, use and/or misuse of the product(s) described herein and agree to indemnify, hold harmless, and defend the seller from any and all claims and actions arising from any cause whatsoever, including sellers' negligence for personal injury incurred in connection with the use of said product(s) and any and all damages proximately resulting therefore.



Warning!

Only technically qualified individuals who have fully read and understand the provided instructions should operate the equipment. The equipment should be operated only in

accordance with these instructions. The operator should follow all the warnings and cautions set forth in the manual and the operator should follow and employ all applicable standard laboratory safety procedures.

6.2 Conclusion

This owner/operator manual has been written to assist in the proper installation and operation of the Auto-Belay, Auto-Retract, and Zig-Zag Zip (Auto-Zip) Safety Systems. Spectrum Sports Intl has tried in its best effort to address relative issues; however, there will be additional information learned or situations that occur that we are unaware of at this time. Please, do not hesitate to call with any technical questions, issues, or concerns that may arise through the use of this product that are not listed or addressed in this manual, please keep us informed. It is the responsibility of the owner/operator of this product to contact Spectrum Sports Intl if any questions arise. As with any amusement/safety device, physical harm may occur and operators and participants must realize that this product is a physical activity and that proper care should be taken to ensure safety. Please exercise good common sense and judgment while operating the Auto-Belay, Auto-Retract, and Zig-Zag Zip (Auto-Zip) Safety Systems.



Warning!

It is the customer's sole responsibility to clarify any question or concern with Spectrum Sports Intl before use and/or operation.

7. TROUBLESHOOTING

This section is the troubleshooting guide for the Auto-Belay Safety System. The common problems and solutions associated with this product are listed below.

Problem 1: The Auto-Belay cable will not retract

Check the air pressure in the tank.

- If there is NO air pressure: Charge tank to the appropriate psi and then check for air leaks by using soapy water.
- If there is air pressure: Check cable routing to ensure there is no cable obstructions.
- Check pulleys and the pulley cart to ensure the pulleys are turning freely and that the cable pulley cart is free from obstructions. Ensure the ram alignment is true.

With proper air pressure, does the tracking pulley cart seem to stop at a point and not track?

- If NO, call Spectrum Sports Intl – 888.563.0163
- If YES, check bearing for proper turning/tightness or if track is clear of debris.

Problem 2: There is grinding or loud rubbing noise

Cable is rubbing somewhere. Determine where the cable is rubbing and call Spectrum Sports Intl for directions.

Problem 3: Hydraulic oil is leaking. Hydraulic oil shoots out when a climber descends:

Locate the source of the leak (i.e. shaft-end of cylinder, brass breather vent of cylinder, hydraulic hose, and/or fitting, or tank).

- If the origin is from the cylinder-end where chrome shaft goes in and out, then the seals are worn. Call Spectrum Sports Intl to order parts and installation instructions.
- If the origin is from the cylinder-end with brass colored breather vent, please note that small amounts are normal for the purpose of lubricating the sliding cylinder head. However, large amounts can mean a torn seal, excessive wear, or some other abnormality. Please contact Spectrum Sports Intl for details.

Problem 4: Auto-Belay Safety System will not hold air pressure?

With soapy water, check all fittings for proper seal, or air leaks.

- If air is leaking from fittings, tighten fitting, and check again. If problem continues, call for assistance.
- If air is leaking from air gauge or Schrader valve, tighten and re-check. If continues, call for assistance.

Problem 5: My air pressure is a little low. How do I add air to the unit?

On the side of the Auto-Belay Safety System, just below the pressure gauge, is a Schrader valve. This valve is similar to what you would see when you add air to tires on an automobile. Simply add air to

this unit in the same manner you would to a car tire. Using an air chuck that is connected to an external air source, add air until the gauge reads between the ranges specified for the unit.

Problem 6: The oil level is no longer registering in the sight glass. How do I add oil?

- Step 1. Make sure the air pressure is let out of the tank.
- Step 2. Remove the cap at the very top of the tank with a 7/8" socket or wrench.
- Step 3. Use a funnel to add the oil (see manual for oil specs).
- Step 4. You should add one quart of oil after the oil becomes visible in the sight glass.
- Step 5. Replace the cap at the top of the belay tank and add air pressure until the proper pressure is achieved.
- Step 6. Prime the Auto-Belay Safety System.

*Should you encounter a problem not listed and need assistance, please call Spectrum Sports Intl (888) 563-0163.

APPENDICES

APPENDIX A. FORMS

Contact:		Phone:		Fax:		Email:	
SHIP TO:				BILL TO:			
Payment Type: COD CC PO#				Name on CC:			
Shipping: Ground 2Day 3Day Overnight				Card Type:		Exp:	
Shipping Acct #:				Card #:		CVC:	
Item Description	Price	Qty	Total	Item Description	Price	Qty	Total
Belay Tank Weldment	\$1,290		\$	Auto-Belay Sticker	\$7.00		\$
Carriage Weldment	\$450.00		\$	Cable Replacement Sticker	Free		\$
Cylinder (Specify Serial #)	\$275.00		\$	Air Pressure Sticker	Free		\$
Belay Hose	\$130.00		\$	2" x 5/8" - 11nc Bolt	\$5.00		\$
Bottom Cylinder Spacer	\$3.00		\$	4.5" Pulley Bolt	\$6.00		\$
Cylinder Cart Spacer	\$3.00		\$	5" Pulley Bolt	\$7.00		\$
Cable Spacer	\$3.00		\$	6" Pulley Bolt	\$8.00		\$
Strainer	\$89.00		\$	7" Pulley Bolt	\$9.00		\$
Check Valve	\$240.00		\$	8" Pulley Bolt	\$10.00		\$
Sight Glass	\$15.00		\$	8 1/2" Auto-Zip Pulley Bolt	\$10.00		\$
Tee Fitting	\$85.00		\$	3 1/2" Auto-Zip Pulley Bolt	\$5.00		\$
Sealed Bearing	\$5.00		\$	Nylock Nut 3/4	\$2.00		\$
Shrader Valve	\$10.00		\$	Nylock Nut 5/8x11 (For bolts)	\$2.00		\$
Moisture-proof Breather	\$6.00		\$	Nylock Nut 1/4x20nc	\$1.00		\$
Pressure Gauge	\$30.00		\$	5/8" Lock Washer	\$1.00		\$
Pulley (6 inch)	\$22.00		\$	Pin Clip	\$1.00		\$
Swivel	\$62.00		\$	6" Cylinder Pin	\$12.00		\$
Carabineer (Trple Auto-Locking)	\$24.00		\$	Cylinder Pin	\$6.00		\$
Quick Link	\$6.00		\$	1539 & 1539-1 Seal Kits	\$45.00		\$
Flow Control	\$54.00		\$	2039 2" Zip Seal Kit	\$45.00		\$
Flow Control Elbow	\$6.00		\$	Sweeco Seal kit (One Seal)	\$12.00		\$
Auto-Zip Pulley	\$69.00		\$	Lin Act Seal Kit	\$30.00		\$
Owner's Manual	\$25.00		\$	Lin Act Gland Kit	\$85.00		\$
Oil Containment System	\$35.00		\$	Inspection Rope			\$
			\$				\$
			\$				\$
			\$				\$
			\$				\$
			\$				\$
			\$				\$
Certified Cable w/ both ends crimped: 24' - \$215.00; 32' - \$260.00; Zip \$395.00 (uncertified: \$230.00)							
Specify Length _____							\$
Extreme Engineering Cables: 24' - \$295.00; 32' - \$325.00							
Specify Length _____							\$
Cost of Goods		\$		Shipping & Handling		\$	
Discount		\$		COD Charge (\$15)		\$	
UT Sales Tax (6.37%)		\$		Total Due:		\$	
SPECTRUM				3785 N. Hwy. 91 ~ Hyde Park, UT 84318			
SPORTS INTL				PH: 888.563.0163 ~ FX: 435.792.3884			
* Prices are subject to change, please call and get the most updated pricing for any parts that you may need.							

Figure 5. Auto-Belay/Zip Accessories & Parts Order Form

APPENDIX B. CHANGING AN AUTO-BELAY CYLINDER



Attention!

This procedure is for the Generation 4 Auto-Belay Safety System design with 4" x 4" tank installed on climbing structure. Two people are recommended for use.

Tools Required:

- Two adjustable wrenches capable to open to 1 ½" or two - 1 1/2" and one 1 1/8" open end wrenches
- Air chuck
- 7/8" open end wrench
- 9/16" open wrench
- ISO 32 oil; the following name brand fluid is available:
 - Mobil: DTE – 24
 - Texaco: RANDO – 32
 - Chevron: AW – 32
- Rags to absorb oil

Directions:

1. Pull cable/rope all the way down to bottom of wall panel to fully retract cylinders (3) to force oil from the cylinder tube.
2. Depressurize the Auto-Belay tank (1) **entirely**. Depress the center of the Schrader valve (15) with a Schrader valve air chuck.
3. Use the wrench to remove 1" nut (5) from 1" bolt (7). Remove 1" bolt (7) on bottom pulley bracket. Keep the spacer (20) from between cylinders on 32' Auto-Belays to put it back on later.
4. Remove breather (18) from old cylinder and install it on the new cylinder.
5. Use the wrench to remove hose (11) and check valve (20) from cylinder that you are replacing. Loosen hose fitting then check valve (20), repeat this until the check valve is removed.
6. Now it takes two people, one person to hold a CLEAN rag over the check valve (20) to keep oil from escaping. Oil can be replaced afterwards. The second person can do the next steps while the other person holds a rag over the check valve.
7. At the top of cylinder (rod end) remove bottom clip from the pin so the pin may be pulled out. Keep any spacer (19) to reinstall as you put a new cylinder on.
8. The cylinder may now be removed.
9. Work backwards from here repeat steps 3-5 to attach new cylinder.
10. Once everything is in place add air to the Auto-Belay tank until the pressure gauge reads 90 psi. The procedure is the same for 24' and 32' walls.

11. Purge the air out of cylinders by repeatedly pulling the rope down and then allow it to rise by hand until resistance is felt throughout the entire down stroke. Now check oil level.
12. If oil needs to be added to make oil visible in oil lens, repeat step 2. Remove fill plug at top of tank with a 7/8" wrench or a 5/16" Allen wrench. Add oil, then tighten fill plug and repeat step 9. Check oil level again. Repeat if necessary to assure that oil level is in the middle of sight gauge/oil eye.

APPENDIX C. OIL COLLECTION KIT INSTALLATION

You will need an adjustable wrench to complete this installation.

1. Remove the old breather from the cylinder. It will be installed later.
2. Thread in the tee fitting and tighten until the fitting is parallel to the belay cylinder (see the figure below).
3. Thread and tighten the breather into top of the tee fitting.
4. Thread and tighten the barb fitting into the bottom of the tee fitting.
5. Push one end of the clear tube on the barb fitting.
6. Measure 10 ½" down from the tee fitting to the top of the bottle cage and attach with two zip ties. Make sure the ties cross over the mounting plate of the cage before tightening the zip ties.
7. Place the other end of the clear tube into the opening of the bottle.
8. Make a note of the oil level by checking it frequently to determine if repairs are needed to belay cylinders. For example, if you notice some oil in the bottle, write the date on the bottle at the oil level so you can monitor it from then on. If you have any questions concerning the oil you see in the bottle, contact Spectrum Sports Intl.

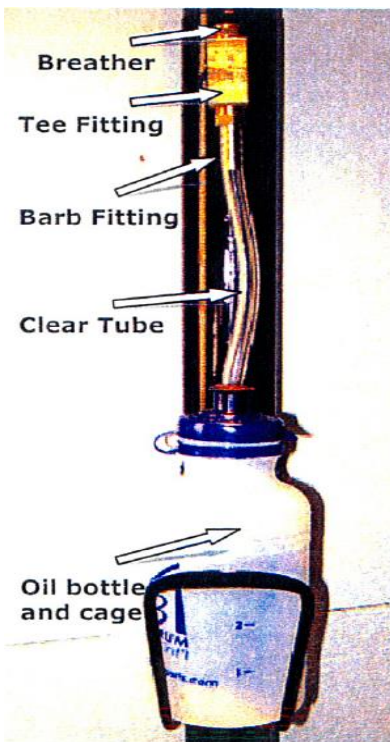


Figure 6. Oil Collection Kit Installation

APPENDIX D. SEAL KIT REPLACEMENT

Occasionally the seals in the Auto-Belay Cylinders will have to be replaced. The most common problem found with leaky cylinders is found on the piston side of the rod. Typically, if this problem is found early and fixed before excessive use, the other seals will stay in good working condition. Thus, it is important to monitor all belays on a daily basis. Oil Containment Kits are a cheap and effective way to monitor and contain oil leakage. Oil kept clean can be reused in the belay.

Tools:

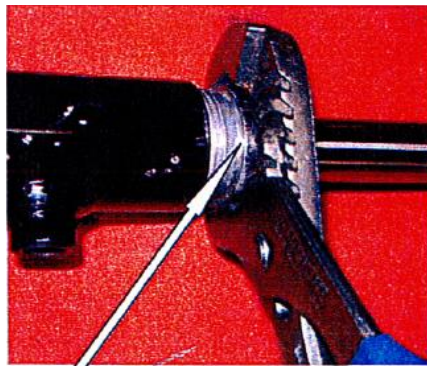
- 1 ½" Spanner wrench with 1/8" teeth (or a pair of channel locks)
- Small flat blade screwdrivers
- Small pick
- Clean rags

NOTE: All work on cylinders should be done in a clean and contaminant free area.

Directions:

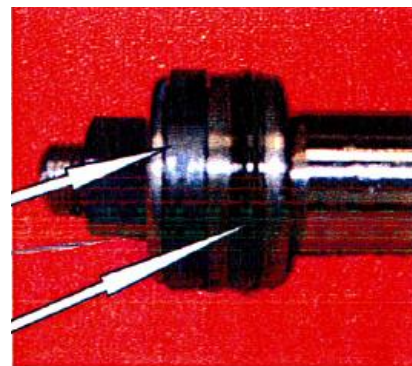
1. Start by taking off the head of the cylinder. If you do not have a spanner wrench, then a pair of channel locks will do the job. After unscrewing the head, carefully pull it out making sure not to excessively drag the seals on the threads. Remove the entire rod.
2. Carefully remove the seal on the piston side of the rod. Taking note of the seal placement, use a pick to pry up the seal while the screwdriver circles the perimeter of the piston, lifting the seal to the ridge as it goes.
3. Remove the wear ring.

PICTURE 1



This image displays the "Head."

PICTURE 2



This image displays the "Wear Ring" (left) and the "Crown Seal" (right).

Figure 7. Seal Kit Replacement Images

4. Clean and lube the seals and head with ISO 32 oil. Replace the “Wear Ring” with a new one. Gently and slowly walk the “Crown Seal” up the piston end until it falls into place. Make sure it sits properly.

NOTE: In many cases (if caught early), this is the only seal you will have to replace. If the other seals need to be replaced, do so in the same manner. Take note of seal placement and make sure everything is clean and well lubed. More tools may be necessary if you choose to replace all seals.

APPENDIX E. CABLE REPLACEMENT (BOTH ENDS TERMINATED)



Warning!

Spectrum Sports Intl cannot be held liable for injuries sustained from changing out cable(s). The customer will have to use their better judgment and have the ability to perform this task safely. Two people are recommended for changing out cables.

Tools:

- Two 15/16" open-end wrenches or two adjustable wrenches
- Two 7/16" open-end wrenches
- Air chuck
- One 5/8" open-end wrench
- Replacement cable
- 6' ladder if changing one of the middle routes
- 30-40 minutes per cable change out

Directions:

1. To change cable(s) let all the air pressure out of the Auto-Belay tank. To depressurize the Auto-Belay(s), attach an air chuck onto Schrader valve (#15). Pull the cable with the red hose towards the bottom of the climbing tower so that the cylinders are compressed completely. This will put the pulley cart (#2) closer to the bottom pulleys.
2. Make note of which side the cable enters the Auto-Belay pulley cart and the side it terminates to. Also make a note of how the cable is routed from pulley-to-pulley. Use a piece of tape to mark each side of the pulley cart.
3. Use the 5/8" open-end wrenches to open the quick link so the cable end can be removed. The quick link can remain attached to the pulley cart (#2).
4. If the cable end does not fit between the pulleys and the top of the Auto-Belay tank, the pulley assemblies must be disassembled. Start by removing the 1/4" nuts from the 1/4" bolts (#8) with the 7/16 wrench from the pulley cart and the bottom pulley assembly. Keep hardware and spacers (#10) together.
5. Now remove the 5/8" nut from the 5/8" bolt (#9) using 15/16 wrenches or adjustable wrenches, from pulley cart and bottom pulley assembly. Take care not to lose the spacers #3, #4, and #5 while removing all pulleys.
6. Now use the 15/16 wrenches to loosen the 5/8" nut from the 5/8" bolt of the bottom pulley on the davit at the top of the wall, enough to remove cable. The upper pulley on the davit will

need to be removed entirely to remove cable. A stepladder may be required if you are replacing a cable on a middle route. Once the top pulley is removed, you can then remove the old cable entirely.

NOTE: When replacing the cable, take care not to kink or pinch cable by pulling on it when there is a loop in the cable.

7. Lay the new cable out on the ground first, to remove loops and have the red hose at the bottom of the wall.
8. Start feeding the end of the cable through the top pulley mount on the davit and then place pulleys groove on the cable and finish remounting the pulley. Do the same to the second pulley on the davit. Tighten the 5/8" nuts to 5/8" bolts.
9. Now pull enough cable to reach the pulley cart. Make sure the cable doesn't go underneath or behind a steel wall support while doing this.
10. **This is where two people are required.** Have a cable enter the pulley cart (the side that is marked with tape). Pull the cable to bottom pulley area, place the cable on a pulley and start 5/8" bolt through the side plate. Place the correct spacer (#4) on the 5/8" bolt; put pulley with cable on the bolt. Pull the cable towards the pulley cart. Start the 5/8" bolt, place spacer (#5) on bolt, place the cable on the pulley, place the pulley on the bolt. Repeat these steps using the correct spacers until cable ends at the quick link. Place and tighten 5/8" nuts onto 5/8" bolts. Replace all 1/4" bolts (#7) and 1/4" nuts and spacers (#6), to keep cable on pulleys. Refer closely to the assembly diagram below.
11. Make sure you attach terminated cable end onto the quick link and tighten the quick link with a wrench.
12. Reattach carabiner, swivel, and quick link to cable with the red hose that is on the outside of the climbing wall. Attach the carabiner to the wall.
13. You now can re-pressurize the Auto-Belay to the recommended air pressure. Add air slowly to the Auto-Belay tank so that the cylinders don't rapidly extend and cause the cable to jam in a pulley.

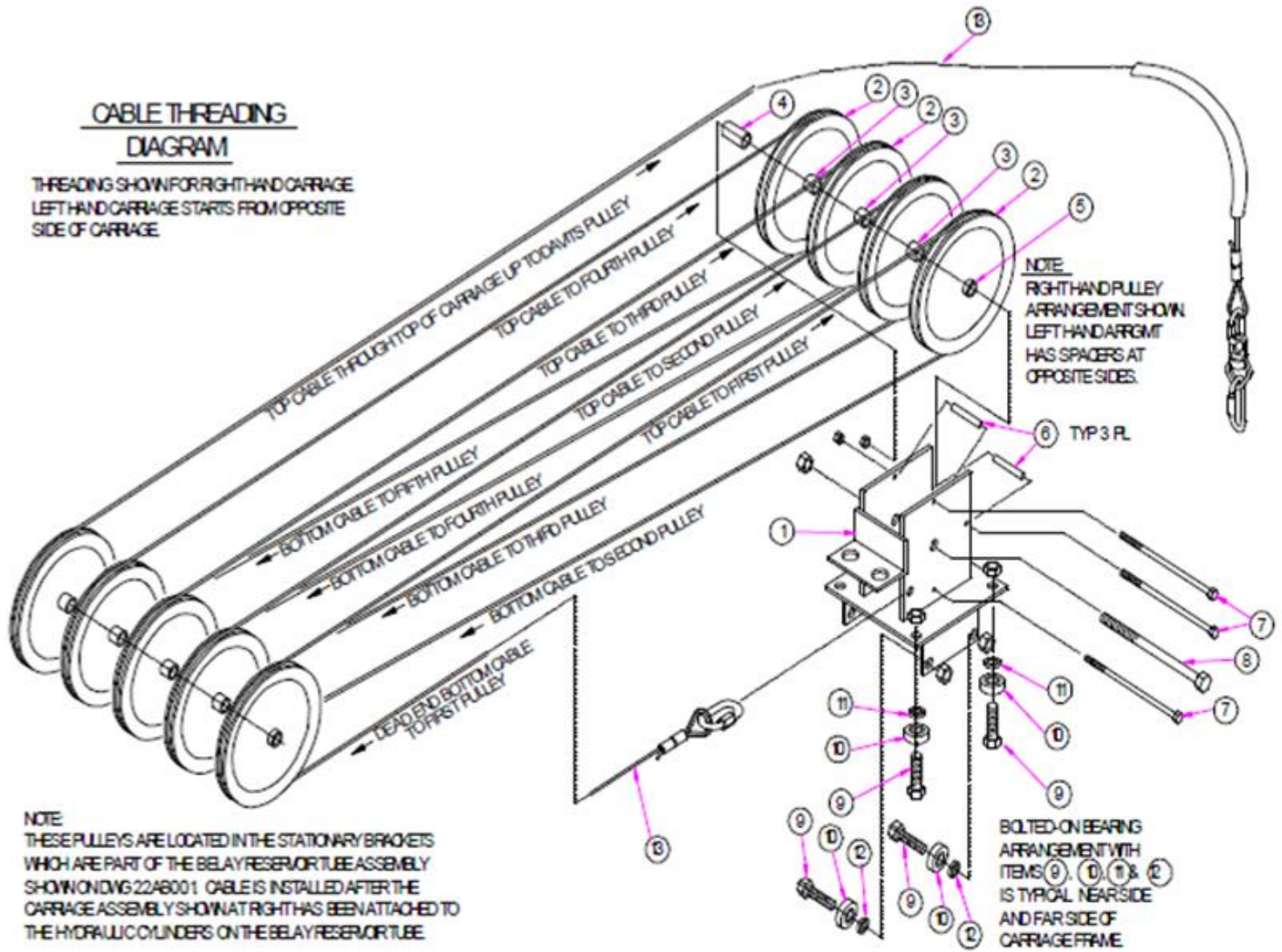
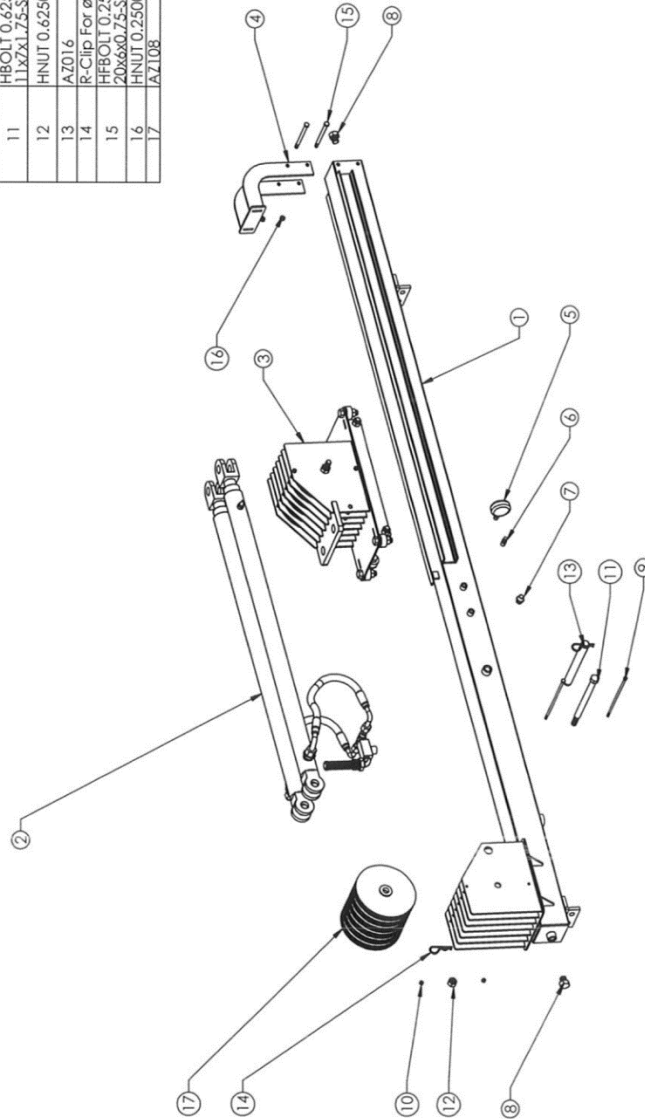


Figure 8. Cable Threading Diagram

AZ100

ITEM NO.	PART NUMBER	DESCRIPTION	QTY.
1	AZ200	AUTO-ZIP TANK WELDMENT	1
2	AZ101	ASSEMBLY, HYDRAULIC	1
3	AZ107	ASSEMBLY, AUTO-ZIP CARRIAGE	1
4	AZ202	END STOP WELDMENT	1
5	Pressure Gauge 0-160 PSI 1.4 NPT Male	PRESSURE GAUGE, 0-160 PSI, 1/4" NPT MALE	1
6	Schrader Valve 1_4 NPT Male	SCHRADER VALVE, 1/4" NPT MALE	1
7	Sight Glass - Zinga OE- 0102	SIGHT GLASS-ZINGA OE-0102	1
8	HBOLT 0.7500- 1.660.75x0.75-S	PLUG, SAE #8	2
9	HBOLT 0.25- 20x6x0.75-S	HEX BOLT, 1/4"-20 UNC x 8"	2
10	HNUT 0.2500-20-D-S	NYLOCK NUT, 1/4"-20 UNC GR5	2
11	HBOLT 0.6250- 1.1x7x1.75-S	HEX BOLT, Ø3/4"-10 UNC x 9" GR 8	1
12	HNUT 0.6250-11-D-S	HEX NUT, Ø3/4"-10 UNC GR8, NYLOCK	1
13	AZ016	R-CLIP FOR Ø1" PIN	1
14	HF BOLT 0.25- 20x6x0.75-S	HEX BOLT, 3/8-16 UNC x 5"	2
15	HNUT 0.2500-20-D-S	NYLOCK NUT, 3/8-16 UNC GR5	2
16	AZ108	ASSEMBLY, SHEAVE	6



Spectrum Sports Int'l.
720 W. 200 S., Logan, Utah 84321

This part contains confidential information which is the property of Spectrum Sports. All design, engineering, and specifications are the property of Spectrum Sports and are not to be used for any purpose other than that for which it is issued.

Drawn By: _____
Eng. Approval: _____
Mfg. Approval: _____

Unless otherwise specified, dimensions are in inches
DIMENSIONS ARE IN INCHES UNLESS OTHERWISE SPECIFIED
DIM. ±.005; ANGLE ±1 DEGREE

MATERIAL: _____
FINISH: _____

Part Name: ASSEMBLY, AUTO-ZIP
Date: 8/20/2009
Rev: 1A

Version # 1A

FILE LOCATION: D:\Data\Burrill\Designs\SSV\ZIP\

Figure 9. Cable Diagram (2)

APPENDIX F. ASTM F 1305



Designation: F 1305 – 94

Standard Guide for the Classification of Amusement Ride and Device Related Injuries and Illnesses¹

This standard is issued under the fixed designation F 1305; the number immediately following the designation indicates the year of original adoption or, in the case of revision, the year of last revision. A number in parentheses indicates the year of last reappraisal. A superscript epsilon (ε) indicates an editorial change since the last revision or reappraisal.

1. Scope

1.1 This guide provides a uniform procedure that should be used when classifying patron injury and illness data related to amusement rides and devices.

1.2 *This standard does not purport to address all of the safety concerns, if any, associated with its use. It is the responsibility of the user of this standard to establish appropriate safety and health practices and determine the applicability of regulatory limitations prior to use.*

2. Terminology

2.1 *Definitions of Terms Specific to This Standard:*

2.1.1 *illness*—personal discomfort resulting in treatment including a personal illness, food poisoning, drug abuse, toxic inhalation, insect sting, or other similar occurrence.

2.1.2 *injury*—sustained bodily harm resulting in treatment such as trauma, cuts, bruises, burns, and sprains.

2.1.3 *minor injuries/illnesses*—injuries and illnesses which may or may not require emergency first aid or significant treatment, or both, but cannot be otherwise classified as a serious injury or illness. This category includes incidents where treatment is limited to such things as the dispensation of over-the-counter medication or plastic adhesive strips², cleansing, rest, and other similar duties or assistance.

2.1.4 *serious injuries/illnesses*—a personal injury/illness that results in death, dismemberment, significant disfigurement, permanent loss of the use of a body organ, member, function, or system, a compound fracture, or other significant injury/illness that requires immediate admission and overnight hospitalization and observation by a licensed physician.

3. Significance and Use

3.1 The purpose of this guide is to provide a uniform procedure under which the amusement ride and device industry can organize data related to injuries and illnesses. This classification system may be used to formulate statistical information within the categories provided and will facilitate the analysis of

¹ This guide is under the jurisdiction of ASTM Committee F-24 on Amusement Rides and Devices and is the direct responsibility of Subcommittee F24.40 on Operations.

Current edition approved April 15, 1994. Published June 1994. Originally published as F 1305–90. Last previous edition F 1305–90.

² Band-Aid brand adhesive strips, a trademark of Johnson and Johnson Products, Inc., New Brunswick, NJ 08093, have been found suitable for this purpose.

injury and illness incidents. The classification system may assist owner/operators and manufacturers to review incidents directly related to their amusement rides and devices, and may provide information for alternatives to reduce or eliminate similar occurrences.

4. Recording Recommendations

4.1 The administration of emergency health care service and treatment should be recorded as deemed appropriate by the owner/operator of amusement rides and devices to include the documentation of all first-aid treatment, including minor injuries and illnesses, in a first-aid log. Injuries and illnesses other than minor should be reported on a firstaid incident report in accordance with 4.2.

4.2 *First-Aid Incident Report*—A first-aid incident report should be completed for injuries or illnesses that result in hospital admission or where medical treatment is given, recommended, or may be required at a future date. All injuries or illnesses reported and other than those classified as minor, can be presumed to be in this category.

4.3 *Recorded Information:*

4.3.1 Information recorded in the first-aid incident report should include but not be limited to the following, where applicable:

4.3.1.1 Date the incident occurred.

4.3.1.2 Name, address, and telephone number of the person to receive emergency health care service or treatment.

4.3.1.3 Age of the person to receive emergency health care service or treatment.

4.3.1.4 Manufacturer's name of the amusement ride or device where or on which the incident occurred.

4.3.1.5 Description of the injury or illness. Physical description of the injury or illness. Description of the events causing and related to the incident.


4.3.1.6 Description of the first-aid service or treatment administered including medications given.

4.3.1.7 Incident classification in accordance with Section 5.

4.3.1.8 Additional information deemed necessary by the owner/operator.

5. Classification of First-Aid Incidents

5.1 When recording an applicable first-aid-related incident the owner/operator of an amusement ride or device should classify the injury or illness in accordance with each of the

 **F 1305**

following categories based on the available reported or observed reliable information, or both:

5.1.1 *Amusement Ride and Device Incidents Classified in Accordance with Injury Qualification and Degree of Injury*—Injury, illness, serious injury/illness, and minor injury/illness as defined in Section 2 should be determined by the owner/operator to best describe the incident circumstances.

5.1.2 *Amusement Ride and Device Incidents Classified in Accordance with Facility Implication*:

5.1.2.1 *Facility-Related Incidents*—Injuries or illnesses that occur on facility premises shall be additionally classified as “Facility Related.”

5.1.2.2 *Not-Facility Related Incidents*—Injuries or illnesses that occur off facility premises shall be additionally classified as “Not Facility Related.”

5.1.3 *Amusement Ride and Device Incidents Classified in Accordance with Facility Location*:

5.1.3.1 *Amusement Ride and Device on Ride Incident*—Injuries or illnesses that actually occur to a person while riding during the operation of the amusement ride or device, including during the start up or shut down procedures, shall be additionally classified as an amusement ride and device “On Ride Incident.”

5.1.3.2 *Loading and Unloading Incidents*—Injuries or illnesses that actually occur to a person while he is within the area designated for loading and unloading of an amusement ride or device that was under the direct control of an amusement ride and device operator or attendant shall be additionally classified as a “Loading and Unloading Incident.”

5.1.3.3 *Queue Line Incident*—Injuries or illnesses that actually occur to a person while in a queue line for an amusement ride or device shall be additionally classified as a “Queue Line Incident.”

5.1.3.4 *Other Incidents*—Injuries or illnesses that occur to a person in a location other than as described in 5.1.3.1, 5.1.3.2, or 5.1.3.3 shall be classified as other than the preceding classifications and should be categorized in accordance with other predetermined descriptions that may be established by the owner/operator.

6. Manufacturer Notification

6.1 The owner/operator of an amusement ride or device shall notify the appropriate manufacturer(s) of an incident that resulted in a serious injury as defined in 2.1.4 within seven days of the occurrence of the incident.

The American Society for Testing and Materials takes no position respecting the validity of any patent rights asserted in connection with any item mentioned in this standard. Users of this standard are expressly advised that determination of the validity of any such patent rights, and the risk of infringement of such rights, are entirely their own responsibility.

This standard is subject to revision at any time by the responsible technical committee and must be reviewed every five years and if not revised, either reapproved or withdrawn. Your comments are invited either for revision of this standard or for additional standards and should be addressed to ASTM Headquarters. Your comments will receive careful consideration at a meeting of the responsible technical committee, which you may attend. If you feel that your comments have not received a fair hearing you should make your views known to the ASTM Committee on Standards, 100 Barr Harbor Drive, West Conshohocken, PA 19428.

This standard is copyrighted by ASTM, 100 Barr Harbor Drive, West Conshohocken, PA 19428-2959, United States. Individual reprints (single or multiple copies) of this standard may be obtained by contacting ASTM at the above address or at 610-832-9685 (phone), 610-832-9555 (fax), or service@astm.org (e-mail); or through the ASTM website (<http://www.astm.org>).